



Серия

Series / Сериялы / Серия

ER



RU



UA



KZ



BY



MD

РУКОВОДСТВО ПО ЭКСПЛУАТАЦИИ

User manual / Пайдаланушы нұсқаулығы / Керівництво з експлуатації

Электрический накопительный водонагреватель

*Electric water heater / Електрлік аккумуляциялық су жылытқыш /
Електричний накопичувальний водонагрівач*

Модель

Models / Улгі / Моделі

ER 200V

ER 300V



Накопительные водонагреватели

*Storage water heaters / Жинақтаушы
сұжылтқыштар / Накопичувальні
водонагрівачі*



Комбинированные (косвенные) водонагреватели

*Combined water heaters / Аралас
сұжылтқыштар / Комбіновані
водонагрівачі*



Проточные водонагреватели

*Instantaneous water heaters / Ағынды
сұжылтқыштар / Проточні
водонагрівачі*



Газовые колонки

*Gas instantaneous water heaters /
Газ бағаналары / Газові колонки*



Газовые котлы

*Gas boilers / Газ қазандары /
Газові котли*



Электрические котлы

*Electric boilers / Электр қазандар /
Електричні котли*



Электрические конвекторы

*Electric convectors / Електрлік
конвекторлар / Електричні конвектори*



Тепловые пушки

*Electric fan heaters / Жылу
зеңбіректтері / Теплові гарматки*



Мультипот

*система кипячения питьевой воды
Multipot / Мультипот / Мультипот*

DEAR CLIENT!

Thank you for your purchasing «**THERMEX**» electric water heater. We are confident that wide variety of our electric water heaters will satisfy any your need. Application of modern processing and high-grade materials define popularity and confidence to «**THERMEX**» trade mark.

Electric water heaters «**THERMEX**» are designed and manufactured in strict compliance with international standards that ensure reliability and safe operation.

The present manual covers «**THERMEX**» models (**ER 200 V**, **ER 300 V** series). Model of your water heater is indicated in section «Product Warranty» (subsection «Note About Sale») and on the nameplate attached to the heater case.

We kindly ask you to carefully read this manual.

1. Intended use

Electric water heater (here in after «the Heater») is intended to supply hot water to domestic and industrial facilities that have cold water pipeline at pressure at least 0,05 Mpa and no more than 0,6 Mpa.

The Heater should operate in heated indoor areas.

It is not intended to work in continuous-flow mode.

2. Specification

The main parameters of the Heater are given in **Table 1**. It may be energized both from 1 and 3 phases (**Fig. 4** shows connection to mains 230V– 400V). Internal tank volume is indicated on the nameplate attached to the Heater case. Inlet and outlet nipples are 3/4" in diameter.

Table 1

Model	Power supply voltage, V	Rated power, kW	Volume, L	Rated pressure, MPa	Heating time for $\Delta 45^{\circ}\text{C}$, min	Constant daily losses, kW/h	The actual annual energy consumption (for permanent loss of per diem), kW/h
ER 200 V	230/400	6,0	200	0,6	115	2,18	795,7
ER 300 V			300		170	3,13	1142,5

3. Delivery set

1. Electric water heater..... 1 pcs.
2. Safety valve..... 1 pcs.
3. Operation manual..... 1 pcs.

4. Description and operation principle of the heater

4.1. The Heater consists of two steel tanks, which are heat-insulated by environmentally-safe foamed polyurethane, and two threaded nipples for cold water supply (blue ring) and hot water discharge (red ring) (**Fig. 1**).

Internal tank has special glass-porcelain cover that reliably protects internal surface from chemical corrosion.

4.2. The Heater is equipped with control panel allowing to control water temperature and its heating rate (**Fig. 2**).

4.3. Water in tank is heated by tubular heating elements mounted on one threaded flange. Heating elements are used for water heating and operated by thermostat. Setting of water temperature (from + 30 °C to + 70 °C) is performed by the temperature control device on the control panel. Thermostat automatically maintains water temperature at the set value by periodical transfer of heating elements from heating mode (heating elements turning on) to heat insulation mode (heating elements turning off) and vice versa. Thermostat also contains thermal switch that protects heating elements from overheating by turning them off at water temperature above 90 °C.

4.4. There are three possible heating modes: fast, moderate and economic.

4.5. Safety valve protects the Heater at overpressure in the tank by excessive pressure relief via valve drain outlet.

Drain nipple is used for water drainage during the maintenance and other service works.

5. Safety precautions

5.1. Electrical safety of the Heater is ensured only with effective grounding made according to the valid electrical installation rules.

5.2. Tube connecting and check valves should correspond to the parameters of water-supply system and have necessary quality certificates.

5.3. Electrical switch for the Heater connection should be rated to nominal current 40 A and more. The gap between break contacts should be 3 mm and more. It is necessary to mount the switch in dry place protected from water splashes exposure.

5.4. It is forbidden during mounting and operation of the Heater:

- to power it on if the Heater is not filled with water;
- to use water pipes as a grounding.

5.5. If you do not use the Heater during winter period, and there is a probability of the Heater and pipes freezing, it is recommended to disconnect mains and drain water from the Heater in order to avoid damage of its internal tank. For this purpose it is necessary to shut-off cold-water supply valve, open outlet tap, unscrew drain nipple plug and drain water residue from the tank. Ensure previously that water in the tank is not hot.

5.6. During the heating water droplets may appear from drain hole of the safety valve. It is a natural event indicating that the pressure in the tank exceeds 0,6 MPa. The channel of connection with atmosphere in the safety valve (draining hole) should be opened at any circumstance. It is necessary to provide water discharge the drain hole to canalization. If water droplets appear too frequent, it is necessary to mount pressure reducer into supply line.

5.7. Safety valve should be connected to pressure release nipple in such a way that drain hole is directed downwards. This valve position provides effective pressure release in case of its appearance.

5.8. This appliance can be used by children aged from 8 years and above and persons with reduced physical, sensory or mental capabilities or lack of experience and knowledge if they have been given supervision or instruction concerning use of the appliance in a safe way and understand the hazards involved. Children shall not play with the appliance. Cleaning and user maintenance shall not be made by children without supervision.

6. Mounting and connection



ATTENTION!

All sanitary and electric assembly works should be performed by qualified personnel with obligatory record in section «Note About Connection» (see section «Product Warranty»).

To avoid damage to the property of client or third party in case of the Heater failure, it is necessary to mount the Heater in premises with floor waterproofing and drainage to canalization. In no case one should place the items, exposed by water, under the Heater. While placing the Heater in unprotected places one should put protective tray under it with drainage to canalization.

6.1. Placement and mounting

6.1.1. Mount safety valve on flange (Fig. 1). Ensure that drain hole of the valve is directed downward; safety valve is not over-tighten and fastened in proper position. Connect cold and hot water lines according to Fig 1; before connection ensure that no foreign objects are in supply line. It is recommended to install shut-off valve on supply line before safety valve.

6.1.2. Removable flange in the Heater bottom is foreseen for water drainage from internal tank.

6.1.3. Check before mounting that wiring, switchgear, and electric meter correspond to the Heater power and comply with the requirements for the Heater operation.

6.1.4. After finishing the above operations the Heater may be placed to the mounting location. In order to minimize heat loss in pipes it is recommended to install the Heater near the place of water consumption.

6.1.5. If the pressure in water pipe exceeds 0,6 MPa, it is necessary to mount pressure reducer (not included into deliver kit) on cold water pipe before the Heater in order to reduce water pressure till the standard value.

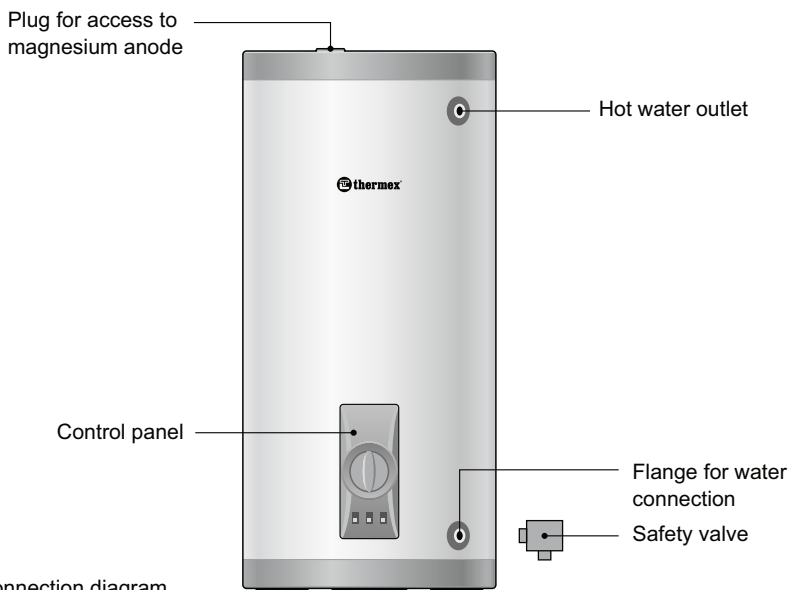


Fig. 1. Connection diagram

7. Operation

7.1. Fill the Heater with water. For this purpose open hot water tap to provide air outflow from the tank. When water starts running from mixing tap indicates that the internal tank is full, then one may turn the tap off.

7.2. Switch on the Heater, turn temperature control into position I (II, III), push the button(s) that turn heating elements on. Control lamp will flash on corresponding button. After button(s) pressing the Heater will start heating with the set intensity.

7.3. Description of control panel functions

7.3.1. Temperature setting control is intended to set the necessary heating temperature of water in the Heater.

7.3.2. Setting keys allow to set the necessary power mode. It is possible to use three modes: moderate heating (4 kW) → fast heating (6 kW) → economic heating (2 kW).

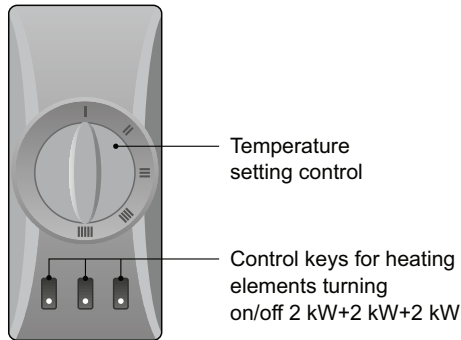


Fig 2. Control panel setting keys layout

7.4. Technical maintenance (TM)

Frequent TM and timely replacement of the magnesium anode are obligatory for long-term EWH operation. Non-compliance with these requirements is the basis for the warranty service termination.

Technical maintenance and replacement of the anode are not covered by the warranty obligations of the manufacturer and seller.

TM includes inspection of the anode condition and scale buildup on the TEH. Simultaneously it is necessary to remove sediment collected in the bottom part of EWH.



Magnesium anode shall be replaced at least one a year. Provided that water contains multiple chemical additives, the magnesium anode shall be replaced more frequently. Scale buildup on the TEH may result in its failure, that is not covered by the warranty; thereby, its replacement is not included into the obligations of the manufacturer and seller.

In case of the sediment buildup on the TEH, it can be removed using special descaling agents, or mechanically. During the sediment removal from EWH it is not allowed to use excessive force and abrasive detergents not to damage protective coating of the inner tank.

The importance of the first technical maintenance is determined by the fact that according to the intensity of sedimentation and scale buildup, as well as the anode consumption, it is possible to determine the period of the following TMs, extending lifetime of EWH operation. Violation of the above requirements reduces the period of EWH operation, increasing the risk of EWH failure, terminating warranty obligations.

It is necessary to comply with the following requirements to carry out TM and magnesium anode replacement:

- Switch off EWH power supply;
- Let hot water cool down or drain it through the mixing tap;
- Shut off cold water supply to EWH;
- Unscrew safety valve and open drain valve;
- Put on rubber hose on the cold water inlet pipe or on the drain valve, guiding the other end to the sewage system;
- Open hot water valve on the mixer tap;
- Drain water from EWH through the cold water inlet pipe or drain valve;
- Remove protective cover, disconnect the wires, unscrew and remove removable flange from the housing;
- Replace anode, clean TEH from scale if required and remove sediment;
- Assemble, fill EWH with water and switch on power supply.

During the EWH technical maintenance by a specialized company, a warranty certificate shall include a relevant **note with the seal of the company**, carrying out technical maintenance. During the magnesium anode replacement by the user, this EWH user manual shall be accompanied by the **sales ticket for anode purchase**.

7.5. Possible failures and remedies

In case of the device failure it is necessary to disconnect it from the electrical network and shut off water supply.

Failure	Possible cause	Remedy
Hot water pressure decreased. Cold water pressure is the same	Inlet clogging of safety valve	Remove the valve and wash it
Heating time increased	Heating element is covered by scale	Remove the flange and clean heating element
	Mains voltage decreased	Contact with your energy company
Frequent activation of thermal switch	Set temperature is close to upper limit	Turn temperature control to decrease temperature (–)

Frequent activation of thermal switch	Thermostat tube is covered by scale	Withdraw removable flange and clean the tube from scale
Energized heater does not heat water. «On» button is not illuminated	Thermal switch is activated or not turned on	Disconnect the Heater from mains, remove protective cover and push the button of thermal switch until it «clicks» (Fig. 3). Put the cover back and switch on power supply

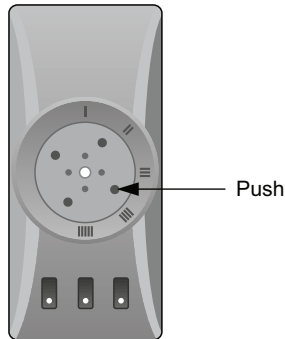


Fig. 3. Rod location on thermal switch of thermostat

The abovementioned failures are not EWH defects and shall be recovered by means of a specialized organization users own expense. In case of failure to recover the faults using the abovementioned recommendations or on case of detection some other faults, it is necessary to contact the service center, specified in the user manual.

8. Product warranty

8.1. Manufacturer sets warranty period 3 years for water tank and 1 year for electric components. Warranty period starts the date of the Heater sale. If the date of sale or shop stamp is absent or corrected, the warranty period starts from the date of manufacture indicated on the nameplate attached to Heater case. Warranty claims are accepted with this manual with marks about sale and connection.

8.2. Warranty covers only the Heater. Warranty for installation and connection is provided by installation contractor according to the data given in subsection «Note About Connection».

8.3. During mounting and operation the user should follow the requirements that provide failsafe operation of the Heater during warranty period:

8.3.1. to follow safety regulations and rules for mounting, connection, operation and maintenance given in this operation manual;

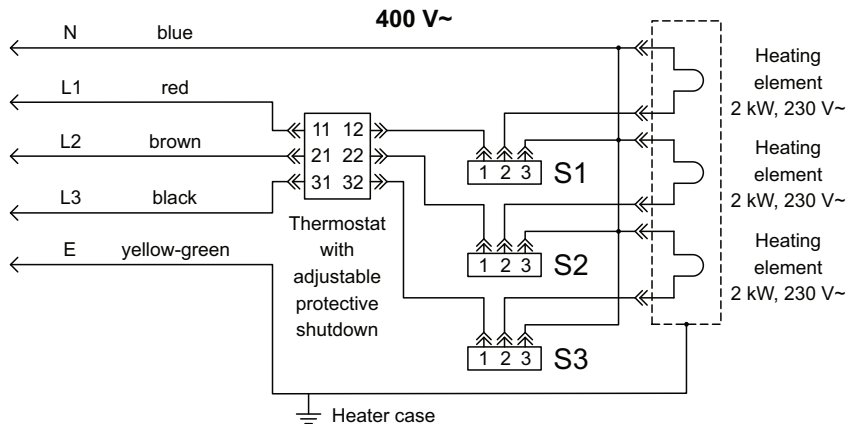
8.3.2. to exclude mechanical damages from improper storage, transportation and mounting;

8.3.3. to exclude the Heater damage from water freezing;

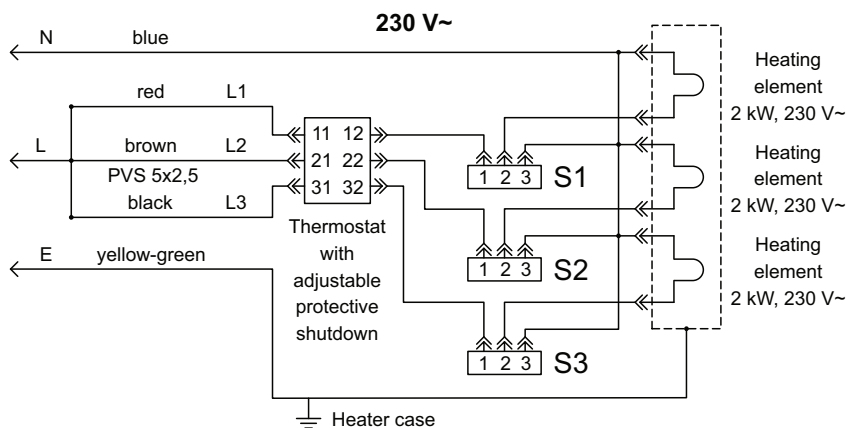
8.3.4. use water without mechanical or chemical impurities.

8.4. Manufacturer is not liable for drawbacks appeared due to violation by user of the rules for mounting, operation and maintenance of the Heater stated in this operation manual.

8.5. Repair, change of components within warranty period does not prolong warranty period in total. Warranty period for changes or repaired components is one month.



1. Basic operating requirements according to GOST PMEK 335-1-94
2. S1, S2, S3 - switch with indication 16 A, 250 V



400 V	Connection	L1 1 phase	L2 2 phase	L3 3 phase	N Neutral wire	E Grounding
	Wires	Red	Brown	Black	Blue	Yellow-green
230 V	Connection	L(L1+L2+L3) 1 phase			N Neutral wire	E Grounding
	Wires	Red, brown and black			Blue	Yellow-green

Fig. 4. Wire diagram of connection to 230 V – 400 V mains.

9. Transportation and storage of electric water heaters

Transportation and storage of electric water heaters shall be carried out in accordance with the handling symbols on the packaging:



1. Necessity of device protection from moisture;
2. Fragile load, delicate handling;
3. Recommended temperature range of the device storage: from +10°C to +20°C;
4. Correct vertical device position;

10. Disposal

Under condition of compliance with the installation, operation and technical maintenance regulations of EWH and water quality compliance with the applicable standards, the manufacturer provides lifetime of 7 years as of the date of EWH purchase. All components of the water heater are made of the materials applicable for environmentally friendly disposal (if required), to be carried out in accordance with the rules and regulations of the water heater operating country.

About manufacturer

Heating Equipment LTD

44, Moskovskoe Shosse, Tosno, Leningrad Region, 187000, Russia
187000, Russia, Leningrad Region, 44, Moskovskoe Shosse, Tosno

EAC All models have passed mandatory certification and meet the requirements of the Technical Regulations of the Customs Union TP TC 004/2011, TP TC 020/2011, TP EAЭC 037/2016 Certificate of Conformity No. TC RU C-RU.AД07.B.02589/20, and also comply with European Directives 2014/35/EU, 2014/30/EU.

Уважаемый покупатель!

Благодарим Вас за покупку электрического водонагревателя **THERMEX**. Выражаем уверенность в том, что широкий ассортимент наших электроводонагревателей удовлетворит любые Ваши потребности. Применение современных технологий и материалов высочайшего качества определили популярность и доверие к торговой марке **THERMEX**.

Электрические водонагреватели **THERMEX** разрабатываются и производятся в строгом соответствии с требованиями международных стандартов, что обеспечивает их надежную и безопасную работу.

Данное руководство предназначено для моделей водонагревателей **ER 200 V**, **ER 300 V**. Наименование модели, приобретенного Вами водонагревателя, указано на идентификационной табличке на корпусе прибора.

Просим Вас внимательно прочесть настоящее руководство.

Назначение

Электрический водонагреватель (далее по тексту ЭВН) предназначен для обеспечения горячей водой бытовых и промышленных объектов, имеющих водопровод холодной воды с давлением не менее 0,05 МПа и не более 0,6 МПа.

ЭВН должен эксплуатироваться в закрытых отапливаемых помещениях. **Прибор не предназначен для работы в непрерывно проточном режиме.**

Основные технические характеристики

Основные характеристики ЭВН приведены в **таблице 1**. Прибор подключается к однофазной или трехфазной сети питания (на **Рис. 4** показано подключение к сети **230 / 400 В**). Объем внутреннего бака указан на идентификационной табличке на корпусе нагревателя. Диаметр резьбы входного и выходного патрубков $\frac{3}{4}$ ".

Таблица 1

Модель	Напряжение питания, В	Номинальная мощность, кВт	Объем, л	Номинальное давление, МПа	Время нагрева на $\Delta 45^{\circ}\text{C}$, мин	Размеры, мм	
						ϕ	H
ER 200 V	230 / 400	6,0	200	0,6	115	560	1215
ER 300 V			300		170	560	1695

Комплект поставки

1. Водонагреватель..... 1 шт.
2. Предохранительный клапан..... 1 шт.
3. Руководство по эксплуатации..... 1 шт.

Описание и принцип действия ЭВН

ЭВН состоит из двух стальных баков, теплоизолированных экологически чистым пенополиуретаном и двух резьбовых патрубков для подачи холодной воды (с синим кольцом) и выпуска горячей воды (с красным кольцом) (**Рис. 1**).

Внутренний бак имеет специальное стеклофарфоровое покрытие, надежно защищающее внутреннюю поверхность от химической коррозии.

ЭВН укомплектован панелью управления, позволяющей регулировать температуру и скорость нагрева воды (**Рис. 2**). Нагрев воды в баке производится с помощью трубчатых электронагревателей (ТЭНов), смонтированных на одном резьбовом фланце. ТЭНы служат для нагрева воды и управляются термостатом. Установка уровня регулирования температуры (от +30°C до +70°C) производится с помощью регулятора температуры, находящегося на панели управления. Термостат автоматически поддерживает температуру воды на уровне, установленном пользователем, периодически переводя ЭВН из режима нагрева (включения ТЭНов) в режим термоизоляции (выключения ТЭНов) и обратно. Термостат также содержит термовыключатель – устройство защиты ЭВН от перегрева, которое отключает ТЭН от сети при превышении температуры воды свыше 90°C.

В приборе предусмотрены 3 возможных режима нагрева: быстрый, умеренный и экономичный.

Предохранительный клапан защищает ЭВН при повышении давления в баке выше допустимого путем сброса избытка давления через дренажное отверстие клапана.

Указания мер безопасности

Электрическая безопасность ЭВН гарантирована только при наличии эффективного заземления, выполненного в соответствии с действующими правилами монтажа электроустановок.

Сантехническая подводка и запорная арматура должны соответствовать параметрам водопроводной сети и иметь необходимые сертификаты качества.

Электровыключатель для подключения ЭВН должен быть рассчитан на номинальный ток не менее 40 А, иметь зазор в разомкнутых контактах не менее 3 мм и устанавливаться в сухом месте, защищенном от попадания брызг воды.

При монтаже и эксплуатации ЭВН не допускается:

- подключать электропитание, если ЭВН не заполнен водой;
- использовать в качестве заземления водопроводные трубы.

Если Вы не используете ЭВН в зимний период и существует вероятность заморозания водных магистралей и самого прибора, рекомендуется отключить питание и слить воду из водонагревателя во избежание повреждения его внутреннего бака. Для этого нужно перекрыть вентиль подачи холодной воды, открыть выходной кран, отвинтить заглушку сливного патрубка и слить остаток воды из бака. Предварительно убедитесь в том, что вода в баке остыла.

В процессе нагрева возможно появление капель воды из сливного отверстия предохранительного клапана, что является нормальным явлением и свидетельствует о том, что давление в баке превышает 0,6 МПа. **Канал соединения с атмосферой предохранительного клапана (сливное отверстие) должен оставаться открытым при любых обстоятельствах. Необходимо обеспечить отвод воды из сливного отверстия в канализацию.** В случае частых появлений капель воды необходимо установить на подающей линии редуктор давления для снижения его величины до нормы.

Предохранительный клапан должен быть подсоединен к патрубку сброса избыточного давления ЭВН таким образом, чтобы сливное отверстие клапана смотрело вниз. Такое его положение обеспечит эффективный сброс избыточного давления при его появлении.

Установка и подключение



ВНИМАНИЕ! Все сантехнические и электромонтажные работы должны проводиться квалифицированным персоналом с обязательной записью в разделе «Отметка о подключении» (см. раздел «Гарантийные обязательства»).

Во избежание причинения вреда имуществу потребителя и (или) третьих лиц в случае неисправностей ЭВН необходимо производить монтаж ЭВН в помещениях, имеющих гидроизоляцию полов и дренаж в канализацию, и ни в коем случае не размещать под ЭВН предметы, подверженные воздействию воды. При разещении ЭВН в незашитенных помещениях необходимо установить под ЭВН защитный поддон с дренажем в канализацию.

Размещение и установка

Установите предохранительный клапан на фланец, (Рис. 1). Убедитесь в том, что сливное отверстие клапана направлено вниз, и что предохранительный клапан не перетянут и зафиксирован в нужном положении. Произведите подключение холодной и горячей воды в соответствии с Рис. 1, предварительно удостоверившись в отсутствии инородных предметов в канале подающей магистрали. Для удобства обслуживания рекомендуется установка запорного вентиля на подающей линии перед предохранительным клапаном.

Для непосредственного слива воды из внутреннего бака на приборе предусмотрен съемный фланец в нижней части ЭВН.

Перед установкой водонагревателя убедитесь в том, что электропроводка, коммутирующая аппаратура, электросчетчик соответствуют электрической мощности ЭВН и удовлетворяют настоящим требованиям по эксплуатации прибора.

После выполнения вышеупомянутых операций ЭВН может быть размещён в месте установки. В целях минимизации теплопотерь в трубах рекомендуется установка ЭВН рядом с местом потребления горячей воды.

Если давление в водопроводе превышает 0,6 МПа, необходимо на магистрали холодной воды перед ЭВН установить редуктор для снижения давления воды до нормы (не входит в комплект поставки).



Рис. 1. Схема подключения

Эксплуатация

Заполните ЭВН водой. Для этого откройте горячий кран смесителя, чтобы обеспечить отток воздуха из бака, и затем откройте входной вентиль. Появление на выходе крана смесителя непрерывной струи воды свидетельствует о заполнении внутреннего бака, после чего кран смесителя можно закрыть.

Включите ЭВН в сеть, поверните регулятор температуры в положение **I (II, III)**, нажмите клавишу/клавиши включения ТЭНа/ТЭНов. На соответствующей клавише должна загореться контрольная лампа. После включения клавиши/клавиш ЭВН начнет нагрев с заданной интенсивностью.

Описание функций управляющей панели

Регулятор установки температуры нагрева предназначен для задания необходимой температуры нагрева воды в ЭВН.

Клавиши управления позволяют установить необходимый режим мощности. Возможно использование трех режимов нагрева:

умеренный (**4 кВт**) ► быстрый (**6 кВт**) ► экономичный (**2 кВт**).

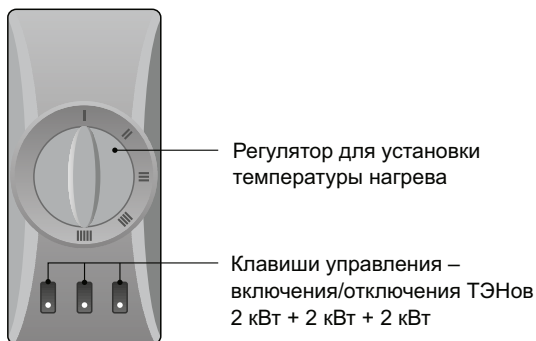


Рис. 2. Панель управления.

Техническое обслуживание (ТО)

! Периодическое проведение ТО и своевременная замена магниевого анода являются обязательными условиями для долговременной работы ЭВН. Невыполнение этих требований является основанием для снятия ЭВН с гарантийного обслуживания. Техническое обслуживание и замена магниевого анода не входят в гарантийные обязательства изготовителя и продавца.

При проведении ТО проверяется состояние магниевого анода и наличие накипи на ТЭНе. Одновременно с этим удаляется осадок, который может накапливаться в нижней части ЭВН.

Первая замена магниевого анода должна быть произведена не позднее 25-го месяца с даты установки ЭВН (при отсутствии отметки об установке с печатью монтажной организации в гарантийном талоне, срок исчисляется с даты производства аппарата). В дальнейшем магниевый анод необходимо заменять не реже одного раза в год. Замена анода должна сопровождаться отметкой и печатью сервисной организации в гарантийном талоне изделия.

Образование накипи на ТЭНе может привести к выходу его из строя, что не является гарантийным случаем, и его замена не входит в гарантийные обязательства изготовителя и продавца. Если на ТЭНе образовалась накипь, то ее можно удалить с помощью средств для удаления накипи, либо механическим путем. При удалении осадка из ЭВН не следует применять чрезмерных усилий и использовать абразивные чистящие средства, чтобы не повредить защитное покрытие внутреннего бака.

Важность первого технического обслуживания заключается в том, что по интенсивности образования накипи и осадка, расхода магниевого анода можно определить сроки проведения последующих ТО и, как следствие, продлить срок эксплуатации ЭВН. При невыполнении перечисленных выше требований сокращается срок эксплуатации ЭВН, возрастает вероятность выхода ЭВН из строя, и прекращается действие гарантийных обязательств.

Для проведения ТО и замены магниевого анода необходимо выполнить следующее:

- отключить электропитание ЭВН;
- дать остыть горячей воде или израсходовать ее через смеситель;
- перекрыть поступление холодной воды в ЭВН;
- отвинтить предохранительный клапан или открыть сливной вентиль;
- на патрубок подачи холодной воды или на сливной вентиль надеть резиновый шланг, направив второй его конец в канализацию;
- открыть кран горячей воды на смесителе;
- снять защитную крышку, отключить провода, отвинтить и извлечь из корпуса съёмный фланец;
- заменить магниевый анод, очистить при необходимости ТЭН от накипи и удалить осадок;
- произвести сборку, заполнить ЭВН водой и включить питание.

При проведении технического обслуживания ЭВН силами специализированной организации в гарантийном талоне должна быть сделана соответствующая отметка. При замене магниевого анода потребителем самостоятельно к настоящему руководству на ЭВН должен быть приложен товарный чек на покупку магниевого анода.

Возможные неисправности и способы их устранения

В случае возникновения неисправности в работе изделия, необходимо отключить его от электрической сети, перекрыть воду.

Неисправность	Возможная причина	Способ устранения
Уменьшился напор горячей воды из ЭВН. Напор холодной воды прежний	Засорение впускного отверстия предохранительного клапана	Снять клапан и промыть его в воде
Увеличилось время нагрева	ТЭН покрылся слоем накипи	Извлечь фланец и очистить ТЭН
	Понижилось напряжение в сети	Обратиться в службу эксплуатации электросети
Частое срабатывание термовыключателя	Установленная температура близка к предельной	Повернуть регулятор термостата в сторону уменьшения температуры (–)
	Трубка термостата покрылась накипью	Извлечь из ЭВН съёмный фланец и аккуратно очистить трубку от накипи
Включенный в электросеть ЭВН не нагревает воду. Отсутствует подсветка контрольных ламп	Отсутствует напряжение в электросети	Обратиться в службу эксплуатации электросети
	Сработал или не включен термовыключатель	Отключить ЭВН от сети, снять ручку регулятора, нажать до щелчка кнопку термовыключателя (Рис. 3), установить ручку и включить питание
	Поврежден сетевой провод	Обратиться в сервисный центр

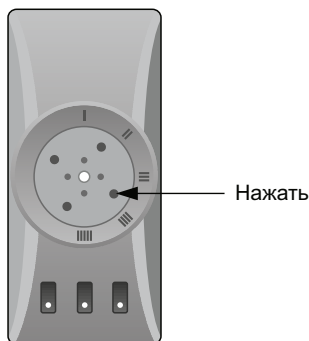


Рис. 3. Расположение штока на термовыключателе термостата.

Вышеперечисленные неисправности не являются дефектами ЭВН и устраняются потребителем самостоятельно или силами специализированной организации за его счет.

При невозможности устранить неисправность при помощи вышеописанных рекомендаций или в случае выявления других, следует обратиться в сервисный центр, указанный в руководстве по эксплуатации.

Гарантия изготовителя

Изготовитель устанавливает срок гарантии на водонагреватель 1 год.

На водосодержащую емкость (внутренний бак) – 3 года;

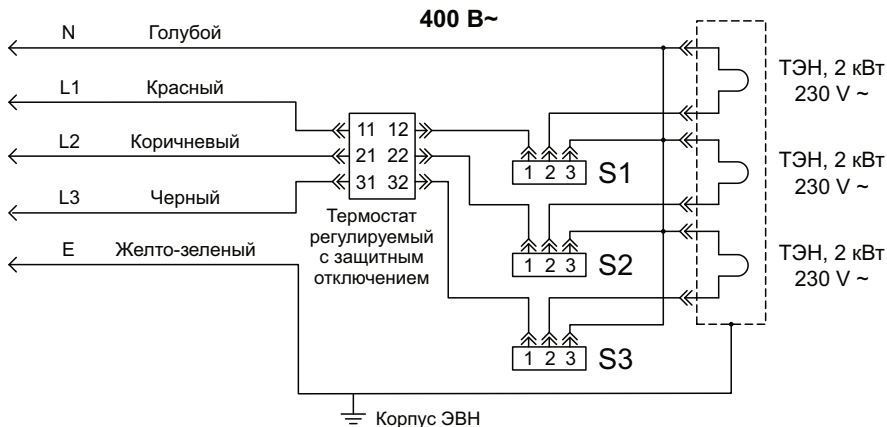
Срок гарантии исчисляется от даты продажи ЭВН. При отсутствии или исправлении даты продажи и штампа магазина срок гарантии исчисляется от даты выпуска ЭВН.

Претензии в период срока гарантии принимаются при наличии гарантийного талона, с отметками фирмы-продавца, и идентификационной таблички на корпусе ЭВН.

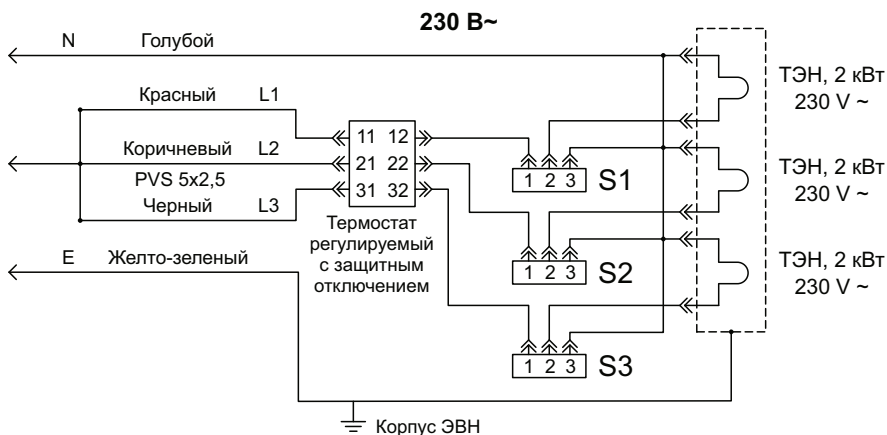
Гарантия распространяется только на ЭВН. Ответственность за соблюдение правил установки и подключения лежит на покупателе (в случае самостоятельного подключения) либо на монтажной организации, осуществившей подключение.

При установке и эксплуатации ЭВН потребитель обязан соблюдать требования, обеспечивающие безотказную работу прибора в течение срока гарантии:

- выполнять меры безопасности и правила установки, подключения, эксплуатации и обслуживания, изложенные в настоящем руководстве
- исключить механические повреждения от небрежного хранения, транспортировки и монтажа
- исключить замерзание воды в ЭВН
- использовать для нагрева в ЭВН воду без механических и химических примесей
- эксплуатировать ЭВН с исправно работающим предохранительным клапаном из комплекта поставки ЭВН



1. Основные технические требования ГОСТ Р МЭК 335-1-94
2. S1, S2, S3 – выключатель с индикацией включения на 16 А, 250 В



400 В	Соединение	L1 1 фаза	L2 2 фаза	L3 3 фаза	N Нулевой провод	E Заземление
	Провода	Красный	Коричн.	Черный	Голубой	Желто-зеленый
230 В	Соединение	L (L1+L2+L3) – фаза			N Нулевой провод	E Заземление
	Провода	Красный, коричневый, черный			Голубой	Желто-зеленый

Рис. 4. Электрическая схема подключения к сети 230 – 400 В.

Изготовитель не несет ответственность за недостатки, возникшие вследствие нарушения потребителем правил установки, эксплуатации и технического обслуживания ЭВН, изложенных в настоящем руководстве, в т. ч. в случаях, когда эти недостатки возникли из-за недопустимых параметров сетей (электрической и водоснабжения), в которых эксплуатируется ЭВН, и вследствие вмешательства третьих лиц. На претензии по внешнему виду ЭВН гарантия производителя не распространяется.

Ремонт, замена составных частей и комплектующих в пределах срока гарантии не продлевают срок гарантии на ЭВН в целом, при этом срок гарантии на замененные или отремонтированные комплектующие заканчивается в момент истечения срока гарантии на ЭВН.

ВНИМАНИЕ! Неисправность предохранительного клапана или шнура питания не является неисправностью собственно ЭВН и не влечет за собой замену ЭВН. Ответственность за соблюдение правил установки и подключения лежит на покупателе (в случае самостоятельного подключения) либо на монтажной организации, производившей подключение.

Транспортировка и хранение электроводонагревателей

Транспортировка и хранение электроводонагревателей осуществляется в соответствии с манипуляционными знаками на упаковке:



1. Необходимость защиты груза от воздействия влаги;
2. Хрупкость груза, условие осторожного обращения;
3. Рекомендованный температурный диапазон хранения груза: от +10°C до +20°C;
4. Правильное вертикальное положение груза;

Правила и условия хранения и перевозки также указаны на упаковке товара.

Утилизация

При соблюдении правил установки, эксплуатации и технического обслуживания ЭВН и соответствии качества используемой воды действующим стандартом изготовитель устанавливает на него срок службы 7 лет от даты покупки ЭВН. Все составные части водонагревателя изготовлены из материалов, допускающих, в случае необходимости, экологически безопасную его утилизацию, которая должна происходить в соответствии с нормами и правилами той страны, где эксплуатируется водонагреватель.

Сведения об изготовителе

Изготовитель:

«HEATING EQUIPMENT» LTD

ООО «Тепловое Оборудование»

Россия, 187000, Ленинградская область, г. Тосно, Московское шоссе, д. 44



Все модели прошли обязательную сертификацию и соответствуют требованиям Технического регламента Таможенного союза ТР ТС 004/2011, ТР ТС 020/2011, ТР ЕАЭС 037/2016 Сертификат соответствия № ТС RU C-RU.АД07.В.02589/20, а также соответствуют Европейским директивам 2014/35/EU, 2014/30/EU.

Служба гарантийной и сервисной поддержки в России: тел.: 8-800-333-50-77
(понедельник – пятница с 09:00 до 20:00; суббота, воскресенье с 10:00 до 17:00 по московскому времени; звонок по России бесплатный), **e-mail: service@thermex.ru**

Главной сервисный центр – установка и подключение ЭВН, гарантийный и пост-гарантийный ремонт:

Россия, 196105, г. Санкт-Петербург, ул. Благодатная, д. 63, тел.: (812) 313-32-73.

Телефоны и адреса авторизованных сервисных центров в других городах и регионах России можно узнать на сайте **www.thermex.ru** или обратиться в сервисный центр, указанный фирмой продавцом:

Наименование и местонахождение импортера и торгующей организации, принимающей претензии по качеству:

Республика Беларусь:

Торговое унитарное предприятие «АКВАТЕРМЕКС»
220029, г. Минск, ул. Куйбышева, д. 22, к 6, к. 202 Б
Тел.: +375 17 3 800 200, +375 44 739 23 55
minsk@thermex.by, www.thermex.by

Служба гарантийной и сервисной поддержки в РБ:

Тел.: +375 17 284 89 03

Республика Казахстан:

ТОО «Термек Сары-Арка»
Тел.: 8 (7212) 51 28 89

Қазақстанға импорттаушы, Қазақстанда сатушы, сапасы бойынша наразылықты қабылдаушы ұйымның атауы және орналасқан жері:

«Термек Сары-Арка» ЖШС
Тел.: 8 (7212) 51 28 89

Республика Молдова:

ICS «Thermex MLD» SRL
R. Moldova, MD-2023, Mun. Chisinau, str. Uzinelor 78, of. 403
Тел.: +373 (22) 81 77 58

Сервис-центр в Молдове:

«RE-SERVE» S.R.L.
R. Moldova, MD-2001, Mun. Chisinau, bd. Gagarin 16
Тел.: +373 (22) 54 54 74

Представник виробника в Україні:

ТОВ «Термекс»
Тел.: 0 (800) 500 610
www.thermex.ua

Шановний користувачу! Дякуємо Вам за придбання водонагрівача торгової марки «**Thermex**». Наша компанія бажає Вам комфортного користування нашими продуктами!



Перед першим використанням електричного накопичувального водонагрівача уважно прочитайте цей посібник з експлуатації та строго дотримуйтеся його рекомендацій.

Електричні водонагрівачі **Thermex** розроблені й виготовлені в повній відповідності до вимог міжнародних стандартів, що гарантує їхню надійність та безпечну експлуатацію.

Зверніть увагу на важливість правильного заповнення гарантійного талона торговельною організацією! Термін гарантії обчислюється з дати продажу водонагрівача.

При купівлі водонагрівача перевіряйте його зовнішній вигляд, цілісність елементів та комплектність. Претензії по зовнішньому вигляду виробу, механічним пошкодженням, а також його комплектації після продажу не приймаються.

Не встановлюйте і не користуйтеся виробом в пожежо- вибухонебезпечних приміщеннях, з агресивними, кислотними середовищами.

Не вмикайте водонагрівач в мережу, яка не має заземлення!

Це Керівництво призначене для моделей водонагрівачів **ER 200 V**, **ER 300 V**. Назва моделі придбаного Вами водонагрівача зазначена на ідентифікаційній табличці на корпусі пристрою.

Комплект постачання

1. Водонагрівач..... 1 шт.
2. Запобіжний клапан типу GP..... 1 шт.
3. Керівництво з експлуатації..... 1 шт.

Призначення

Електроводонагрівач (далі за текстом ЕВН) призначений для забезпечення гарячою водою побутових та промислових об'єктів, які мають магістраль холодного водопостачання з необхідними параметрами.

ЕВН повинен експлуатуватися у закритих опалювальних приміщеннях. **Пристрій не призначений для роботи у безперервно проточному режимі.**

Основні технічні характеристики

Основні характеристики ЕВН наведені в **таблиці 1**. Пристрій може бути підключений до однофазної або трифазної мережі живлення (на **Рис. 4** показано підключення до мережі 230/400 В). Об'єм внутрішнього бака зазначено на ідентифікаційній табличці на корпусі нагрівача. Діаметр різьби вхідного й вихідного патрубків 3/4".

Таблиця 1

Модель	Напруга живлення, В	Номінальна потужність, кВт	Об'єм, л	Номінальний робочий тиск, МПа	Час нагрівання на $\Delta 45^{\circ}\text{C}$, хв	Розміри, мм	
						ϕ	Н
ER 200 V	230 / 400	6,0	200	0,6	115	560	1215
ER 300 V			300		170	560	1695

Опис і принцип дії

Конструкція EBH включає внутрішній бак із сталі та зовнішню сталеву обшивку, простір між якими теплоізолювано екологічно чистим пінополіуретаном. EBH має два різьбові патрубки: для входу холодної води в бак (з синім кільцем) і для подачі гарячої води (з червоним кільцем) (Рис. 1).

Внутрішній бак має спеціальне біосклофарфорове покриття, яке надійно захищає внутрішню поверхню від хімічної корозії.

EBH укомплектований панеллю керування, яка дає змогу регулювати температуру і швидкість нагрівання води (Рис. 2). Нагрівання води в баку здійснюється за допомогою трубчастих електронагрівачів (ТЕНів), змонтованих на одному різьбовому фланці. Роботою ТЕНів, що забезпечують нагрівання води, керує термостат. Для регулювання температури (від $+30^{\circ}\text{C}$ до $+70^{\circ}\text{C}$) використовується регулятор, розташований на панелі керування. Термостат автоматично підтримує температуру води на рівні, встановленому користувачем, періодично переводячи EBH із режиму нагрівання (ТЕНи увімкнені) у режим очікування (ТЕНи вимкнені) й навпаки. Термостат також містить термовимикач – пристрій захисту EBH від перегрівання, який відключає живлення ТЕНів у разі підвищення температури води понад 90°C .

У пристрої передбачено 3 режими нагрівання: швидкий, помірний та економічний.

EBH також оснащений запобіжним клапаном. Він виконує функції зворотного клапана, перешкоджаючи потраплянню води з водонагрівача у водопровідну мережу у випадках падіння в останній тиску і у випадках зростання тиску в баку при сильному нагріванні води, а також функції захисного клапана, скидаючи надлишковий тиск в бак при сильному нагріванні води.

Для доступу безпосереднього у внутрішній бак у нижній частині EBH передбачений знімний фланець.

Магнієвий анод змонтовано в верхній частині баку під заглушкою (Рис. 1).

У процесі експлуатації корпус EBH може нагріватися.

Виробник залишає за собою право на внесення змін до конструкції і характеристики водонагрівача без попереднього повідомлення.

Підключення



Усі монтажні, сантехнічні та електромонтажні роботи повинні проводитися кваліфікованим персоналом.

Підключення до електромережі

Перед встановленням водонагрівача переконайтеся, що електропроводка, комутуюча апаратура та електролічильник відповідають електричній потужності ЕВН і задовольняють всім вимогам щодо експлуатації пристрою.

Перед включенням електроживлення переконайтеся, що ЕВН заповнений водою!

Водонагрівач повинен бути заземлений для забезпечення безпечної роботи.

Електровимикач для підключення ЕВН має бути розрахований на номінальний струм не менше ніж 40 А, мати зазор розімкнених контактів не менше ніж 3 мм й бути встановленим у сухому місці, захищеному від потрапляння вологи.

Підключення до водопроводу



Необхідно подавати холодну воду у ЕВН використовуючи фільтр попереднього очищення води зі ступенем очищення не менше 200 мкм.

Рекомендується встановлювати ЕВН максимально близько від місця використання гарячої води, щоб скоротити втрати тепла у трубах.

Встановіть запобіжний клапан на фланець (**Рис. 1**). Упевніться, що зливний отвір клапана спрямований донизу, і що запобіжний клапан не перетягнутий і зафіксований у належному положенні. Приєднайте труби для холодної та гарячої води відповідно до (**Рис. 1**), попередньо впевнившись у відсутності сторонніх предметів у каналі магістралі подачі води. Для зручності обслуговування рекомендовано встановити запірний кран на лінії подачі води перед запобіжним клапаном.

Під час роботи водонагрівача вода може просочуватися з випускної труби запобіжного клапана для скидання надлишкового тиску, що робиться в цілях безпеки водонагрівача. Зливний отвір клапана повинен залишатися відкритим для атмосфери і знаходитися в незамерзаючому навколишньому середовищі. Рекомендується приєднати до дренажного отвору гумову чи силіконову трубку відповідного діаметру для відводу вологи.

Необхідно регулярно (не рідше одного разу на місяць) проводити злив невеликої кількості води через випускну трубу запобіжного клапана до каналізації для видалення вапняних осадів і для перевірки працездатності клапана. Невиконання цієї вимоги може привести до виходу з ладу запобіжного клапана та водонагрівача. В цьому випадку запобіжний клапан і водонагрівач не підлягають гарантійному обслуговуванню.

Необхідно стежити, щоб під час роботи водонагрівача ця ручка знаходилася у положенні, що закриває злив води з бака.

Забороняється використовувати гнучку підводку, яка вже була у вживанні. Сантехнічна підводка і запірні арматури повинні відповідати параметрам водопровідної мережі і мати необхідні сертифікати якості. При монтажі не допускається надмірних зусиль, щоб уникнути пошкодження різьби патрубків.



УВАГА! Забороняється експлуатувати ЕВН без запобіжного клапана або використовувати клапан інших виробників.

Встановлення

При виборі місця монтажу необхідно враховувати загальну вагу ЕВН заповненого водою.

Щоб уникнути заповідання шкоди майна споживача і (або) третіх осіб у разі несправної системи гарячого водопостачання, необхідно проводити монтаж ЕВН у приміщеннях, що мають гідроізоляцію підлоги і дренаж у каналізацію, і ні в якому разі не розміщувати під ЕВН предмети, схильні до дії води. При розміщенні у незахищених приміщеннях необхідно встановлювати під ЕВН захисний піддон (не входить до комплекту поставки ЕВН) з дренажем у каналізацію.

У разі розміщення ЕВН у місцях, важкодоступних для проведення технічного і гарантійного обслуговування (антресолі, ніші, міжпотолочний простір тощо), монтаж і демонтаж ЕВН здійснюється споживачем самостійно, або за його рахунку.



Рис. 1. Схема підключення

Експлуатація

Заповніть ЕВН водою. Для цього відкрийте кран гарячої води на змішувачі, щоб випустити повітря з водонагрівача, а потім відкрийте кран подачі холодної води в бак. Коли внутрішній бак буде заповнений повністю, з крана змішувача безперервним потоком потече вода. Після цього кран змішувача можна закрити.

Увімкніть живлення ЕВН, поверніть регулятор температури в положення **I (II, III)**, натисніть клавішу/клавіші вмикання ТЕНа/ТЕНів. На відповідній клавіші має засвітитися контрольна лампа. Після натискання клавіші/клавіш ЕВН почне нагрівати воду із заданою потужністю.

Опис функцій панелі керування

Регулятор температури нагрівання призначений для встановлення необхідної температури нагрівання води в ЕВН.

Клавіші керування дають змогу встановити необхідний режим потужності. Може бути встановлений один із трьох режимів нагрівання:

економічний (**2 кВт**) ► помірний (**4 кВт**) ► швидкий (**6 кВт**).

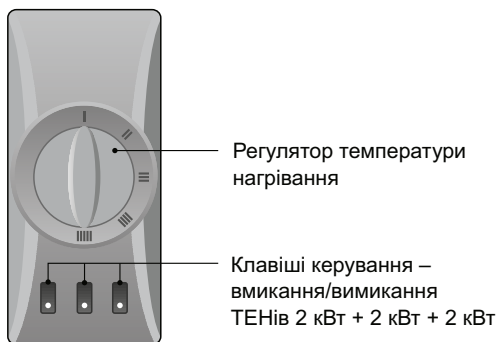


Рис. 2. Панель керування.

Технічне обслуговування (ТО)

Періодичне проведення ТО і своєчасна заміна магнієвого анода є обов'язковими умовами для довготривалої роботи ЕВН. Невиконання цих вимог є підставою для зняття ЕВН з гарантійного обслуговування. **Технічне обслуговування та заміна магнієвого анода не входять до гарантійних зобов'язань виробника і продавця.**

При проведенні ТО перевіряється стан магнієвого анода і наявність накипу на ТЕНі. Одночасно з цим видалається осад, який може накопичуватися в нижній частині ЕВН.

Магнієвий анод необхідно замінювати не рідше одного разу на рік. Якщо вода містить велику кількість хімічних домішок, то магнієвий анод необхідно міняти раз на півроку. Утворення накипу на ТЕНі може привести до виходу його з ладу, що не є гарантійним випадком, і його заміна не входить до гарантійних зобов'язань виробника і продавця.

Якщо на ТЕНі утворився накип, то його можна видалити за допомогою засобів для видалення накипу, або механічним шляхом. При видаленні осаду з ЕВН не слід застосовувати надмірних зусиль і використовувати абразивні чистильні засоби, щоб не пошкодити внутрішній бак.

Важливість першого технічного обслуговування полягає в тому, що за інтенсивністю утворення накипу і осаду, витрати магнієвого анода, можна визначити терміни проведення подальших ТО і, як наслідок, продовжити термін експлуатації ЕВН. При невиконанні зазначених вище вимог

скорочується термін експлуатації ЕВН, зростає ймовірність виходу ЕВН з ладу, і припиняється дія гарантійних зобов'язань.

Для проведення ТО і заміни магнієвого анода необхідно виконати наступне:

- Вимкнути електроживлення ЕВН;
- Дати охолонути гарячій воді або витратити її через змішувач;
- Перекрити надходження холодної води до ЕВН;
- Відгвинтити запобіжний клапан або відкрити зливний вентиль;
- На патрубок подачі холодної води або на зливний вентиль надіти гумовий шланг, направивши другий його кінець до каналізації;
- Відкрити кран гарячої води на змішувачі;
- Злити воду з ЕВН через патрубок подачі холодної води або зливний вентиль;
- Зняти захисну кришку, від'єднати дроти, відгвинтити і витягти з корпусу знімний фланець, очистити при необхідності ТЕН від накипу і видалити осад;
- Замінити магнієвий анод;
- Зібрати прилад, заповнити ЕВН водою і увімкнути живлення.

Технічне обслуговування ЕВН повинно проводитись авторизованим сервісним центром. В гарантійному талоні в **Таблиці 2** має бути зроблена відповідна відмітка з печаткою сервісного центру, що проводив технічне обслуговування. Відсутність відміток від сервісного центру, про своєчасне проходження технічного обслуговування, призводить до відмови в гарантійному обслуговуванні.

Таблиця 2. Облік робіт з технічного обслуговування та гарантійного ремонту.

Найменування послуги	Зміст виконаної роботи, та заміненних запчастин	Дата виконання	ПІБ, підпис виконавця, печатка СЦ
Технічне обслуговування № 1			
Технічне обслуговування № 2			
Гарантійний ремонт			
Гарантійний ремонт			

Заходи безпеки

Під час монтажу й експлуатації ЕВН забороняється:

- підключати електроживлення, якщо ЕВН не заповнений водою;
- знімати захисну кришку при увімкненому електроживленні та експлуатувати водонагрівач зі знятою захисною кришкою електричного блока;
- включати ЕВН у водопровідну мережу з тиском більше 0,4 МПа. Якщо тиск у водопровідній магістралі перевищує 0,4 МПа, то на вході холодної води в ЕВН, перед запобіжним клапаном

(по ходу руху води) необхідно встановити відповідний редуційний клапан (не входить до комплексу поставки ЕВН) для зниження тиску холодної води до норми. Установка редуційного клапана між ЕВН і запобіжним клапаном заборонена;

- підключати ЕВН до водопроводу без запобіжного клапана або використовувати клапани інших виробників;
- зливати воду з ЕВН при увімкненому електроживленні;
- використовувати запасні частини, не рекомендовані виробником;
- використовувати воду з ЕВН для приготування їжі;
- використовувати воду, що містить механічні домішки (пісок, дрібні камені), які можуть призвести до порушення роботи ЕВН і запобіжного клапана;
- включення і експлуатацію ЕВН з закритими вхідним і вихідним вентилями (патрубками);
- використовувати ЕВН без заземлення або використовувати в якості заземлення водопровідні труби. Електрична безпека та антикорозійний захист ЕВН гарантовані тільки за наявності ефективного заземлення, виконаного відповідно до діючих «Правил улаштування електроустановок» (ПУЕ);
- зливати воду з ЕВН, проводити ремонтні роботи та обслуговування при увімкненому електроживленні;
- експлуатувати несправний водонагрівач;
- забороняється залишати ЕВН увімкненим в електромережу при відсутності нагляду більш ніж на 1 добу.

Якщо в зимовий період ЕВН не буде використовуватися, щоб уникнути пошкодження внутрішнього бака, замерзання водних магістралей і самого водонагрівача, рекомендовано відключити живлення й злити воду з ЕВН. Для цього потрібно перекрити вентиль подачі холодної води, відкрити вихідний кран, відгвинтити заглушку зливального патрубка й злити залишок води з бака. Попередньо слід упевнитися, що вода в баку охолола.

ЕВН не призначений для експлуатації особами з обмеженими фізичними або психічними здібностями, а також особами, які не вміють користуватися ЕВН, за винятком випадків, коли це відбувається під наглядом або відповідно до вказівок від осіб, що відповідають за безпеку ЕВН. Діти можуть використовувати ЕВН тільки під наглядом осіб, які вміють безпечно його експлуатувати. У період експлуатації ЕВН необхідно регулярно оглядати прилад на предмет правильної роботи (відсутність підтікань, запах гару, іскріння проводки тощо). У разі тривалих перерв у роботі водонагрівача, збоїв у роботі лінії водопостачання, необхідно відключити ЕВН від електромережі і перекрити вентиль підведення холодної води.

При невиконанні покупцем правил цього розділу, гарантія виробника анулюється.

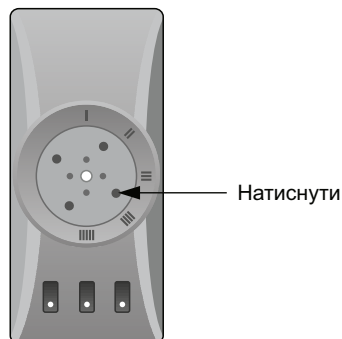
Слід завжди розуміти, що існує ризик обшпарювання водою і ураження електричним струмом.

Можливі несправності та методи їх усунення

У випадку виникнення порушень у роботі виробу, необхідно відключити його від електричної мережі та перекрити воду.

Порушення	Можлива причина	Метод усунення
Зменшився напір гарячої води з ЕВН. Напір холодної води незмінний.	Засмічення впускного отвору запобіжного клапана	Зняти клапан та промити його у воді
Збільшився час нагрівання	ТЕН вкрився шаром накипу	Витягнути фланець й очистити ТЕН
	Знизилася напруга електромережі	Звернутися до служби експлуатації електромережі
Часте спрацювання термовимикача	Установлена температура наближена до максимальної	Повернути регулятор термостата в бік зменшення температури (–)
	Трубка термостата вкрита накипом	Витягти з ЕВН знімний фланець й акуратно очистити трубку від накипу
Підключений до електромережі ЕВН не нагріває воду. Відсутня індикація на панелі керування.	Відсутня напруга в електромережі	Звернутися до служби експлуатації електромережі
	Спрацював або не увімкнений термовимикач	Відключити ЕВН від мережі, зняти ручку регулятора, натиснути до клацання кнопку термовимикача (Рис. 3), встановити ручку на місце й підключити живлення
	Пошкоджений мережевий кабель	Звернутися до сервісного центру

Рис. 3. Розташування штока на термовимикачі термостата



Наведені у таблиці порушення не є дефектами ЕВН і усуваються споживачем самостійно або силами спеціалізованої організації за його рахунок.

Якщо усунути порушення за допомогою наведених рекомендацій не вдалося, або у разі виявлення інших порушень, зверніться до авторизованого сервісного центру.

Гарантія виробника

Виробник встановлює термін гарантії на водонагрівач 1 рік, при цьому терміни гарантії на складові частини і комплектуючі вироби наступні:

на водомістку ємність (внутрішній бак) – 3 роки, при умові проведення щорічного технічного обслуговування водонагрівача;

на інші складові частини (нагрівальний елемент, термостат, лампочки-індикатори, ущільнювальні прокладки, індикатор температури, пристрій захисного відключення, запобіжний клапан та інше) – 1 рік, окрім магнієвого аноду. Магнієвий анод є витратним матеріалом і заміні по гарантії не підлягає.

Термін гарантії починається від дати продажу ЕВН. Дата продажу вказується у гарантійному талоні, та повинна підтверджуватись касовим чеком або видатковою накладною.

При використанні приладу в комерційних цілях (на виробництві, в місцях громадського харчування, лазні, сауни перукарні, спортзали та інше), гарантійний термін складає 6 місяців.

При відсутності або виправленні у гарантійному талоні дати продажу і штампу магазину, гарантійний термін обчислюється від дати виготовлення виробу.

Дата виготовлення виробу закодована в унікальному серійному номері, розташованому на ідентифікаційній табличці (стікері), розташованій у нижній частині на корпусі виробу. Серійний номер виробу складається з тринадцяти цифр. Третя і четверта цифра серійного номеру – рік випуску, п'ята і шоста – місяць випуску, сьома і восьма – день випуску ЕВН.

Гарантійні зобов'язання є дійсними при обов'язковому дотриманні наступних умов:

- гарантійний талон правильно та повністю заповнений, у ньому не присутні виправлення;
- тиск води на вході у водонагрівач не повинен перевищувати значення 4 бар. Якщо тиск води рівний або вище за вказане значення, слід встановити редуктор тиску (не входить в комплект поставки);
- проведення технічного обслуговування виробу не рідше одного разу на рік, яке повинне проводитись авторизованим сервісним центром, та яке складається з видалення накипу з нагрівального елемента та осаду з нижньої частини бака, заміни магнієвого аноду, перевірки стану запобіжного клапану та його чищення при необхідності, перевірки стану інших складових і загальної працездатності (послугу сплачує споживач). Якщо використовується вода поганої якості, то технічне обслуговування необхідно проводити раз на півроку. Магнієвий анод забезпечує захист внутрішнього баку від корозії та подовжує його термін експлуатації, а також, в значній мірі, запобігає виникненню накипу на ТЕНі. На водонагрівач, що вийшов з ладу через сильний знос магнієвого аноду, гарантія не розповсюджується;
- наявність ефективного заземлення водонагрівача;
- використовувати для нагріву в водонагрівачі воду без механічних і хімічних домішок, які можуть призвести до порушення роботи ЕВН і запобіжного клапану;
- експлуатувати водонагрівач зі справно працюючим запобіжним клапаном з комплекту поставки водонагрівача.

Гарантійний ремонт здійснюється уповноваженою сервісною організацією на підставі правильно і повністю заповненого гарантійного талону та наявності касового чеку або видаткової накладної, при неухильному дотриманні умов, зазначених в цьому посібнику. Якщо виклик представника сервісного центру виявився необґрунтованим, користувач обладнання зобов'язаний відшкодувати витрати, пов'язані з виїздом майстра, у повному обсязі. Ремонт, заміна складових частин і комплектуючих в межах терміну гарантії не продовжують термін гарантії на ЕВН в цілому, при цьому термін гарантії на замінені або відремонтовані комплектуючі закінчується в момент закінчення терміну гарантії на ЕВН.

Гарантійний термін на замінені після закінчення гарантійного терміну вузли, агрегати і запасні частини становить 1 місяць.

Гарантійний термін зберігання становить три роки і обчислюється від дати виготовлення товару.

Гарантія втрачає силу у випадку:

- пошкодження чи видалення серійного заводського номера обладнання;
- внесення конструктивних змін у виріб;
- спроби споживача провести ремонт або заміну запчастин власними силами, втручання в обладнання не уповноважених сервісних організацій;
- нанесення виробу механічних пошкоджень;
- якщо запобіжний клапан не встановлений, встановлений не вірно або несправний;
- використання приладу не за призначенням;
- відсутності магнієвого аноду;
- використання неоригінальних запасних частин і комплектуючих, неякісних чи невідповідних витратних матеріалів;
- не проведення технічного обслуговування виробу (не рідше одного разу на рік);
- захисний редуктор тиску несправний.

Гарантія не поширюється на всі види несправностей, які спричинені:

- неправильною експлуатацією, недбалим використанням, недотриманням настанов інструкції з монтажу та експлуатації, СНіП/ДБН та інших діючих нормативів та правил;
- недотриманням правил установки (підключення), зберігання та транспортування;
- підключенням виробу до мереж електропостачання, водопостачання з параметрами що не відповідають вимогам діючих стандартів, норм та правил;
- відсутністю заземлення, якщо це призвело до виходу з ладу водонагрівача;
- експлуатацією водонагрівача не заповненого водою, як наслідок вихід з ладу нагрівального елементу;
- утворенням накипу на нагрівальному елементі, якщо це призвело до виходу його з ладу
- замерзанням води у водонагрівачі.

При установці і експлуатації ЕВН споживач зобов'язаний дотримуватися наступних вимог:

- виконувати заходи безпеки і правила установки, підключення, експлуатації і обслуговування, викладені в цьому посібнику;
- не допускати механічних ушкоджень від недбалого зберігання, транспортування і монтажу;
- не допускати замерзання води в ЕВН;
- використовувати для нагріву в ЕВН воду без механічних і хімічних домішок;
- експлуатувати ЕВН із справним запобіжним клапаном з комплекту поставки ЕВН.

- температура зовнішнього середовища, в якому експлуатується ЕВН, повинна знаходитися в межах від 5°C до 40°C. Замерзання води в ЕВН при мінусових температурах призводить до виходу його з ладу, що не є гарантійним випадком;
- не здійснюйте демонтаж водонагрівача з місця до приїзду майстра сервісного центру для перевірки приладу та якості і правильності інсталяційних робіт. У випадку не виконання даної вимоги водонагрівач не підлягає гарантійному обслуговуванню і ремонт оплачує споживач.

Несправності запобіжного клапана або шнура живлення не є несправністю власне ЕВН і не тягне за собою заміну ЕВН. Відповідальність за дотримання правил установки та підключення лежить на покупцеві (у випадку самостійного підключення) або на монтажній організації, що виконувала підключення.

Виробник не несе відповідальності за недоліки, які виникли внаслідок порушення споживачем правил встановлення, експлуатації і технічного обслуговування ЕВН, викладених у цьому посібнику, у т. ч. у випадках, коли ці недоліки виникли через неправильні параметри мереж (електричної і водозабезпечення), у яких експлуатується ЕВН, і внаслідок втручання третіх осіб. На претензії щодо зовнішнього вигляду ЕВН гарантія виробника не поширюється.

Задля Вашої власної безпеки! Монтаж, ремонт і обслуговування повинні здійснюватись тільки кваліфікованими фахівцями.

Транспортування та зберігання електроводонагрівачів

Транспортування та зберігання електроводонагрівачів здійснюється у відповідності з маніпуляційними знаками на упаковці:

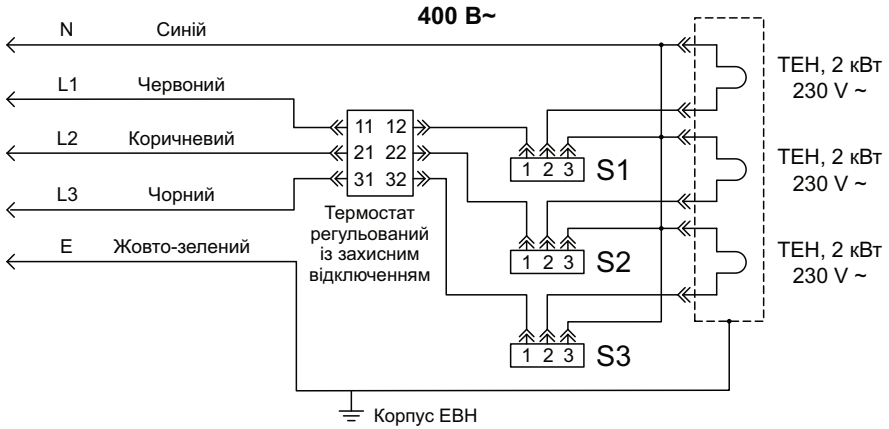


1. Необхідність захисту вантажу від впливу вологи;
2. Крихкість вантажу, умова обережного поводження;
3. Рекомендований температурний діапазон зберігання вантажу: від +10°C до +20°C;
4. Правильне вертикальне положення вантажу.

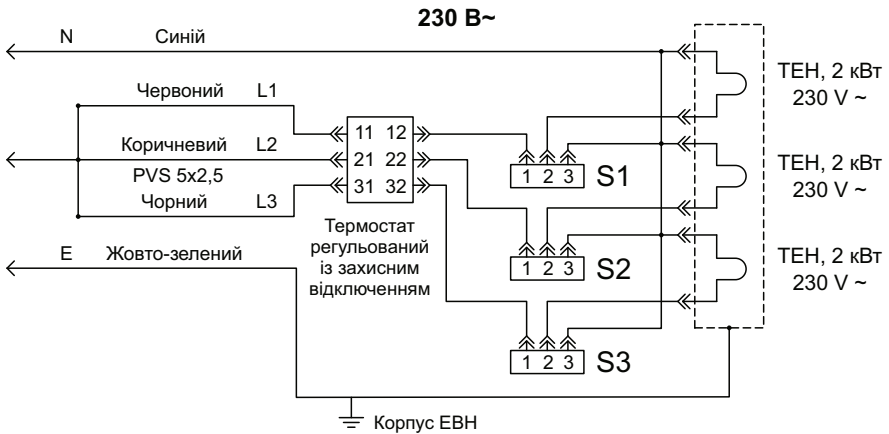
Утилізація

При дотриманні правил установки, експлуатації і технічного обслуговування ЕВН і відповідності якості використовуваної води діючим стандартом, виробник встановлює на нього термін служби 7 років від дати покупки ЕВН.

Всі складові частини водонагрівача виготовлені з матеріалів, що допускають, у разі необхідності, екологічно безпечну його утилізацію, яка повинна відбуватися у відповідності з нормами і правилами тієї країни, де експлуатується водонагрівач.



S1, S2, S3 – перемикач із індикацією роботи на 16 А, 250 В



400 В	З'єднання	L1 1 фаза	L2 2 фаза	L3 3 фаза	N Нульовий провід	E Заземлення
	Проводи	Червоний	Коричн.	Чорний	Синій	Жовто-зелений
230 В	З'єднання	L (L1+L2+L3) – фаза			N Нульовий провід	E Заземлення
	Проводи	Червоний, коричневий, чорний			Синій	Жовто-зелений

Рис. 4. Електрична схема підключення до мережі 230 – 400 В.

Відомості про виробника

Виробник:
«HEATING EQUIPMENT» LTD

Усі моделі пройшли оцінку відповідності вимогам ДСТУ (Державні стандарти України)

Інформацію про найближчий сервісний центр Ви можете отримати у Продавця або на офіційному сайті ТОВ «Термекс»: www.thermex.ua
e-mail: service@ua.thermex.com

Служба гарантійної та сервісної підтримки: 0 800 500 610 (дзвінки в межах України безкоштовні)

Представник виробника в Україні:
ТОВ «Термекс», Тел.: 0 (800) 500 610

Құрметті сатып алушы!

THERMEX электрлі су жылытқышын сатып алғаныңыз үшін алғысымызды білдіреміз. Біздің электрлі жылытқыштарымыздың кең ассортименті сіздің кез келген қажеттіліктеріңізді қанағаттандыратынына сенім білдіреміз. Жоғары сапалы заманауи технологиялар мен материалдарды қолдану **THERMEX** сауда маркасына танымалдық пен сенімді айқындады.

THERMEX электрлі су жылытқыштары олардың сенімді және қауіпсіз жұмысын қамтамасыз ететін халықаралық стандарттардың талаптарына сәйкес әзірленеді және өндіріледі.

Осы нұсқаулық су жылытқыштардың **ER 200 V, ER 300 V** модельдеріне арналған. Сіз сатып алған су жылытқыш моделінің атауы аспаптың корпусындағы сәйкестендіру тақтайшасында көрсетілген.

Сізден осы басшылықты мұқият оқып шығуыңызды сұраймыз.

Тағайындалуы

Электрлі су жылытқыш (бұдан әрі мәтін бойынша ЭСЖ) қысымы кемінде 0,05 МПа және көп дегенде 0,6 МПа суық су құбыры бар, тұрмыстық және өнеркәсіптік объектілерді ыстық сумен қамтамасыз етуге арналған.

ЭСЖ жабық жылытылатын орынжайларда пайдаланылуы тиіс. Аспап үздіксіз ағынды режимде жұмыс істеуге арналмаған.

Негізгі техникалық сипаттамалары

ЭСЖ-нің негізгі сипаттамалары **1-кестеде** келтірілген. Аспап бір фазалы немесе үш фазалы қуат көзінің желісіне қосылады (**4 суретте 230 / 400 В** желісіне қосылу көрсетілген). Ішкі бактың көлемі жылытқыштың корпусындағы сәйкестендіру тақтайшасында көрсетілген. Кіріс және шығыс келтеқұбырларының бұрандасының диаметрі $\frac{3}{4}$ ".

1-кесте

Моделі	Қуат көзінің кернеуі, В	Номиналды қуаты, кВт	Көлемі, л	Номиналды қысымы, МПа	$\Delta 45^{\circ}\text{C}$ -қа, жылыту уақыты, мин	Өлшемдері, мм	
						ϕ	H
ER 200 V	230 / 400	6,0	200	0,6	115	560	1215
ER 300 V			300		170	560	1695

Жеткізу жиынтығы

1. Су жылытқыш..... 1 дана
2. Сақтандыру клапаны..... 1 дана
3. Пайдалану жөніндегі нұсқаулық..... 1 дана

ЭСЖ сипаттамасы және жұмыс істеу қағидаты

ЭСЖ экологиялық таза пенополиуретанмен жылу оқшауланған екі болат бактан және суық су беруге (көк сақинасы бар) және ыстық су шығаруға (қызыл сақинасы бар) арналған екі бұрандалы келтеқұбырдан тұрады (1 сур.).

Ішкі бактың ішкі бет үстін химиялық жегідеден сенімді қорғайтын арнайы шыны фарфор жабыны бар.

ЭСЖ судың температурасы мен қызу жылдамдығын реттеуге мүмкіндік беретін басқару панелімен жабдықталған (2 сур.). Бақтағы су бір бұрандалы ернемекке монтаждалған құбырлы электрлі жылытқыштармен (ТЭНдермен) жылытылады. ТЭН су жылытуға арналған және термостатпен басқарылады. Температураны реттеу деңгейін орнату (+30°C-тан +70°C-қа дейін) басқару панелінде орналасқан температураны реттегіш арқылы жүргізіледі. Термостат автоматты түрде ЭСЖ-ні жылыту режимінен (ТЭН-ді қосу) термооқшаулау (ТЭН-ді өшіру) режиміне және кері ауыстыра отырып, пайдаланушы белгілеген деңгейде су температурасын сақтап тұрады. Сондай-ақ, термостат термиялық сөндіргіш – ЭСЖ-ні қызып кетуден қорғау құрылғысын құрайды, ол су температурасы 90°C-тан жоғары болған кезде ТЭН-ді желіден ажыратады.

Аспапта 3 ықтимал жылыту режимі көзделген: жылдам, орташа және үнемді.

Сақтандырғыш клапан клапанның құрғатқыш саңылауы арқылы артық қысымды шығару жолымен бактағы қысым шамадан тыс жоғарылаған кезде ЭСЖ-ні қорғайды.

Қауіпсіздік шараларының нұсқауы

ЭСЖ-нің электрлі қауіпсіздігі қолданыстағы электр қондырғыларын монтаждау қағидаларына сәйкес орындалған тиімді жерге тұйықтау болған кезде ғана кепілдік беріледі.

Сантехникалық жеткізу және бекіту арматурасы су құбыры желісінің параметрлеріне сәйкес болуы және қажетті сапа сертификаттары болуы тиіс.

ЭСЖ қосуға арналған электрлі қосқыш кемінде 40 А номиналды токқа есептелуі тиіс, ажыратылған контактілерде кемінде 3 мм саңылауы болуы және су шашырауынан қорғалған құрғақ жерде орнатылуы тиіс.

ЭСЖ монтаждау және пайдалану кезінде мынаған рұқсат етілмейді:

- егер ЭСЖ сумен толтырылмаса, электрлі қуат көзін қосу;
- су құбырларын жерге тұйықтау ретінде пайдалану.

Егер ЭСЖ-ні қыс мезгілінде пайдаланбасаңыз және су магистральдары мен аспаптың қату ықтималдығы болса, оның ішкі бағының зақымдануын болдырмау үшін қуат көзін ажырату және су жылытқыштан суды ағызу ұсынылады. Ол үшін суық су беру шұрасын жабу, шығыс кранын ашу, ағызу келтеқұбырының тығынын бұрап, бактағы су қалдығын төгу қажет. Алдын ала бактағы судың суығанына көз жеткізіңіз.

Жылыту барысында сақтандырғыш клапанның ағызу саңылауында су тамшылары пайда болуы мүмкін, бұл қалыпты құбылыс болып табылады және бактағы қысым 0,6 МПа-дан артық екенін куәландырады. **Сақтандырғыш клапанның атмосферасымен қосылу арнасы**

(ағызу саңылауы) кез келген жағдайда ашық қалуы тиіс. Суды ағызу саңылауынан кәрізге бұруды қамтамасыз ету қажет. Су тамшылары жиі пайда болған жағдайда оның шамасын нормаға дейін төмендету үшін, беру желісінде қысым редукторын орнату қажет.

Сақтандырғыш клапан ЭСЖ артық қысымын шығару келтеқұбырына клапанның ағызу саңылауы төмен көрінетіндей етіп қосылуы тиіс. Оның мұндай қалыбы артық қысым пайда болған кезде тиімді түсірілуін қамтамасыз етеді.

Орнату және қосу



НАЗАР АУДАРЫҢЫЗ! Барлық сантехникалық және электр монтаждау жұмыстарын білікті персонал «Қосу туралы белгі» бөлімінде міндетті түрде жазумен жүргізуі тиіс («Кепілдік міндеттемелері» бөлімін қараңыз).

Тұтынушының және (немесе) үшінші тұлғалардың мүлігіне зиян келтірмеу үшін ЭСЖ ақауы болған жағдайда едендердің гидроқоқшаулауы және кәрізге құрғатуы бар орынжайларда ЭСЖ монтажын жүргізу керек және еш жағдайда ЭСЖ астына су әсеріне ұшыраған заттарды орналастырмау қажет. ЭСЖ-ні қорғалмаған орынжайларда орналастыру кезінде ЭСЖ астына кәрізге құрғатқышы бар қорғаныш табанын орнату қажет.

Орналастыру және орнату

Сақтандыру клапанын ернемекке орнатыңыз (1 сур.). Клапанның ағызу саңылауы төменге бағытталғанына және сақтандырғыш клапанының қатайтылмағанына және қажетті қалыпта бекітілмегеніне көз жеткізіңіз. **1 суретке** сәйкес суық және ыстық суды қосыңыз, беруші магистраль арнасында бөгде заттардың жоқтығына алдын ала көз жеткізіңіз. Қызмет көрсетуге ыңғайлы болу үшін сақтандырғыш клапанның алдында берілетін желіге бекіту вентильін орнату ұсынылады.

Ішкі бактан суды тікелей ағызу үшін аспапта ЭСЖ-нің төменгі бөлігіндегі алмалы-салмалы ернемек көзделген.

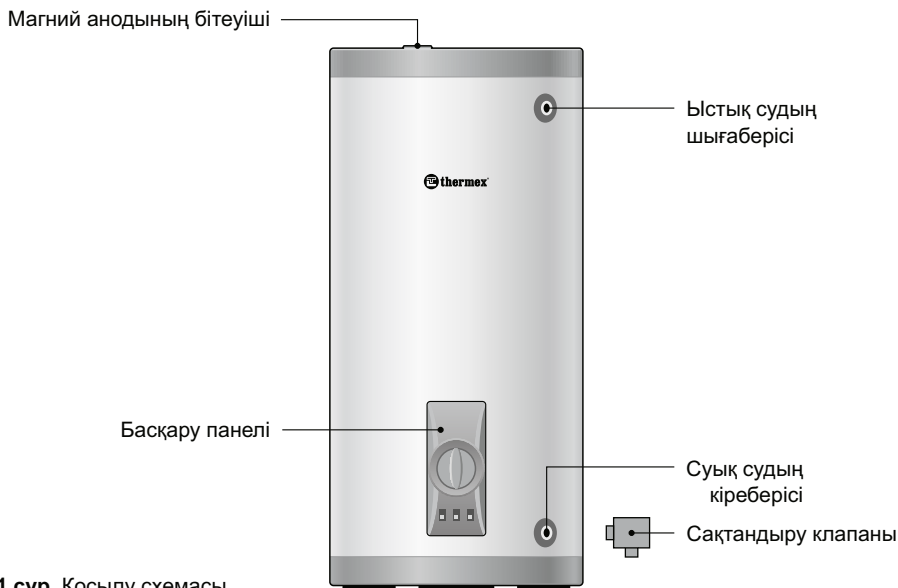
Су жылытқышты орнатудан бұрын электр сымы, коммутациялық аппаратура, электр есептегіш ЭСЖ-нің электр қуатына сәйкес келетініне және аспапты пайдалану жөніндегі осы талаптарды қанағаттандыратынына көз жеткізіңіз.

Жоғарыда аталған операцияларды орындағаннан кейін ЭСЖ орнату орнында орналастырылуы мүмкін. Құбырлардағы жылу шығынын азайту мақсатында ЭСЖ-ні ыстық суды тұтыну орнына жақын орнату ұсынылады.

Егер су құбырындағы қысым 0,6 МПа-дан артық болса, ЭСЖ алдындағы суық су магистралында су қысымын нормаға дейін төмендету үшін редуктор орнату қажет (жеткізу жиынтығына кірмейді).

Пайдалану

ЭСЖ-ні сумен толтырыңыз. Ол үшін бактан ауаның шығуын қамтамасыз ету үшін араластырғыштың ыстық кранын ашыңыз, содан кейін кіреберіс вентильін ашыңыз. Араластырғыш кранының шығаберісінде судың үздіксіз ағысының пайда болуы ішкі бактың толғанын куәландырады, содан кейін араластырғыш кранын жабуға болады.



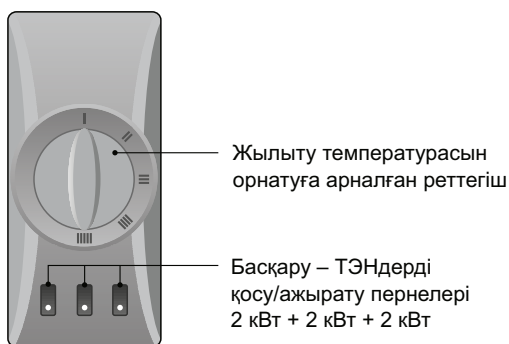
1 сур. Қосылу схемасы

ЭСЖ-ні желіге қосыңыз, температура реттегішін I (II, III) қалыбына бұраңыз, ТЭН/ТЭНдерді қосу пернесін/пернелерін басыңыз. Тиісті пернеде бақылау шамы жануы керек. Пернені/пернелерді қосқаннан кейін ЭСЖ берілген қарқындықпен қыза бастайды.

Басқару панелі функцияларының сипаттамасы

Жылыту температурасын орнатудың реттегіші ЭСЖ-дегі суды қыздырудың қажетті температурасын белгілеуге арналған.

Басқару пернелері қажетті қуат режимін орнатуға мүмкіндік береді. Үш қыздыру режимін қолдануға болады: орташа (**4 кВт**) ► жылдам (**6 кВт**) ► үнемді (**2 кВт**).



2 сур. Басқару панелі.

Техникалық қызмет көрсету (ТҚК)



ТҚК мерзімді жүргізу және магний анодын уақтылы ауыстыру ЭСЖ ұзақ уақыт жұмыс істеу үшін міндетті шарттар болып табылады. Бұл талаптарды орындамау ЭСЖ-ні кепілді қызмет көрсетуден алу үшін негіз болып табылады. Магний анодына техникалық қызмет көрсету және ауыстыру дайындаушы мен сатушының кепілдік міндеттемелеріне кірмейді.

ТҚК жүргізу кезінде магний анодының жағдайы және ТЭНде қақтың болуы тексеріледі. Сонымен бірге ЭСЖ-нің төменгі бөлігінде жиналуы мүмкін шөгінділер жойылады.

Магний анодын алғаш рет ауыстыру ЭСЖ орнатылған күннен бастап 25 айдан кешіктірілмей жүргізілуі тиіс (кепілдік талонында монтаждау ұйымының мөрі қойылған орнату туралы белгі болмаған жағдайда, мерзімі аппарат шығарылған күннен бастап есептеледі). Одан әрі магний анодын жылына кемінде бір рет ауыстыру қажет. Анодты ауыстыру бұйымның кепілдік талонында сервистік ұйымның белгісі мен мөрімен сүйемелденуі тиіс.

ТЭНде қақ түзілуі оның істен шығуына әкелуі мүмкін, бұл кепілдік жағдай болып табылмайды және оны ауыстыру дайындаушы мен сатушының кепілдік міндеттемелеріне кірмейді. Егер ТЭНде қақ түзілсе, онда оны қақ кетіретін құралдар арқылы немесе механикалық жолмен жоюға болады. ЭСЖ-ден тұнбаны алып тастау кезінде шамадан тыс күш қолдануға және ішкі бактың қорғаныс жабынын зақымдамау үшін абразивті тазалау құралдарын пайдалануға болмайды.

Бірінші техникалық қызмет көрсетудің маңыздылығы қақ пен тұнбаның түзілу қарқындылығы, магний анодының шығыны бойынша келесі ТҚ жүргізу мерзімін анықтауға болады, соның салдарынан ЭСЖ пайдалану мерзімін ұзартуға болады. Жоғарыда аталған талаптар орындалмаған жағдайда ЭСЖ пайдалану мерзімі қысқартылады, ЭСЖ-нің істен шығу ықтималдығы артады және кепілдік міндеттемелердің қолданылуы тоқтатылады.

ТҚК жүргізу және магний анодын ауыстыру үшін мыналарды орындау қажет:

- ЭСЖ электрлі қуат көзін өшіру;
- ыстық суды суыту немесе араластырғыш арқылы оны жұмсау;
- ЭСЖ-ге суық судың түсуін жабу;
- сақтандырғыш клапанды бұрау немесе ағызу вентиляын ашу;
- суық су беру келте құбырына немесе ағызу вентиляыне резеңке құбыршекті, оның екінші ұшын кәрізге бағыттап кигізу;
- араластырғышта ыстық су кранын ашу;
- қорғағыш қақпақты алып тастау, сымдарды ажырату, бұрап алу және корпуста алмалы-салмалы ернемекті алып тастау;
- магний анодын ауыстыру, қажет болған жағдайда ТЭН-ді қақтан тазарту және тұнбаларды жою;
- жинау, ЭСЖ сумен толтыру және қуат көзіне қосу.

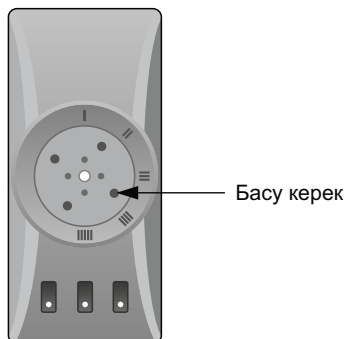
ЭСЖ-ге техникалық қызмет көрсету кезінде мамандандырылған ұйым кепілдік талонында тиісті белгі жасауы тиіс. Тұтынушы магний анодын осы басшылықпен өз бетімен ЭСЖ-ге ауыстырған кезде магний анодын сатып алуға тауарлық чек қоса берілуі тиіс.

Ықтимал ақаулар және оларды жою тәсілдері

Бұйым жұмысында ақау пайда болған жағдайда, оны электр желісінен ажырату, суды жабу қажет.

Ақаулық	Ықтимал себеп	Жою тәсілі
ЭСЖ-ден ыстық судың қысымы азайды. Суық судың қысымы бұрынғыдай	Сақтандырғыш клапанның енгізу саңылауының бітелуі	Клапанды шешіп, оны суда жуыңыз
Жылыту уақыты артты	ТЭН қақ қабатымен жабылған	Ернемекті алу және ТЭН тазарту
	Желіде кернеу төмендеді	Электр желісін пайдалану қызметіне хабарласу
Термиялық қосқыштың жиі іске қосылуы	Белгіленген температура шекті деңгейге жақын	Термостат реттегішін температураның азаюына қарай бұру (-)
	Термостат түтігі қақпен жабылған	ЭСЖ-ден алмалы-салмалы ернемекті алып шығып, түтікті қақтан ұқыпты тазалаңыз
Электр желісіне қосылған ЭСЖ суды қыздырмайды. Бақылау шамдарының жарығы жоқ	Электр желісінде кернеу жоқ	Электр желісін пайдалану қызметіне хабарласу
	Термиялық қосқыш іске қосылды немесе қосылмаған	ЭСЖ-ні желіден ажырату, реттегіш тұтқасын алып тастау, термиялық сөндіргіш түймесін шертпекке дейін басыңыз (3 сур.), тұтқаны орнату және қуат көзін қосу
	Желілік сым зақымдалған	Сервис орталығына хабарласу керек

3 сур. Термостаттың термиялық сөндіргіш соташығының орналасуы.



Жоғарыда аталған ақаулар ЭСЖ ақаулары болып табылмайды және тұтынушы өз бетімен немесе мамандандырылған ұйымның күшімен оның есебінен жояды.

Ақаулықты жоғарыда сипатталған ұсынымдардың көмегімен жою мүмкін болмаған жағдайда немесе басқалары анықталған жағдайда пайдалану жөніндегі басшылықта көрсетілген сервис орталығына жүгіну керек.

Дайындаушының кепілдігі

Дайындаушы су жылытқыштың кепілдік мерзімін 1 жыл деп белгілейді.

Су қамтитын сыйымдылыққа (ішкі бак) – 3 жыл;

Кепілдік мерзімі ЭСЖ сату күнінен есептеледі. Дүкеннің сатылған күні мен мөртаңбасы болмаған немесе түзетілген жағдайда кепілдік мерзімі ЭСЖ шығарылған күннен бастап есептеледі.

Кепілдік мерзімі кезеңіндегі шағымдар сатушы фирманың белгісі бар кепілдік талоны және ЭСЖ корпусындағы сәйкестендіру тақтайшасы болған кезде қабылданады.

Кепілдік тек ЭСЖ-ге қолданылады. Орнату және қосу қағидаларын қадағалау үшін жауапкершілік сатып алушыға (дербес қосылған жағдайда) немесе қосуды жүзеге асырған монтаждау ұйымына жүктеледі.

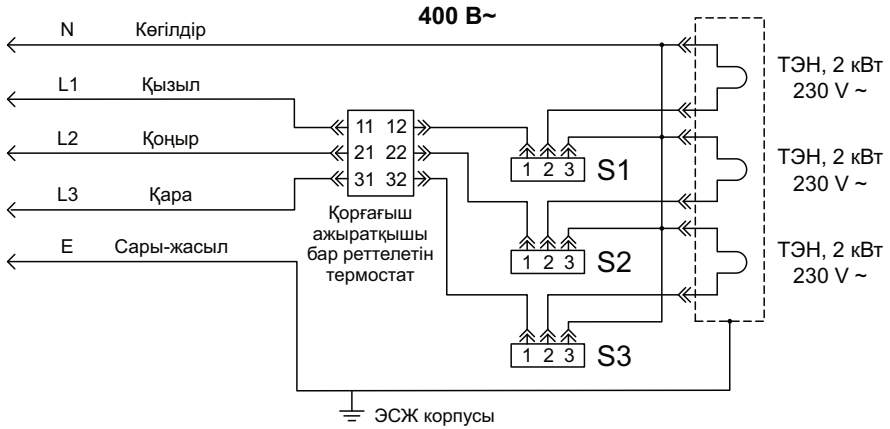
ЭСЖ-ні орнату және пайдалану кезінде тұтынушы кепілдік мерзімі ішінде аспаптың тоқтаусыз жұмысын қамтамасыз ететін талаптарды сақтауға міндетті:

- осы нұсқаулықта баяндалған қауіпсіздік шараларын және орнату, қосу, пайдалану және қызмет көрсету қағидаларын орындау
- ұқыпсыз сақтау, тасымалдау және монтаждаудан механикалық зақымды жою
- ЭСЖ-де судың қатуына жол бермеу
- ЭСЖ-де суды механикалық және химиялық қоспасыз жылыту үшін пайдалану
- ЭСЖ жеткізу жиынтығынан ақаусыз жұмыс істейтін сақтандырғыш клапаны бар ЭСЖ пайдалану

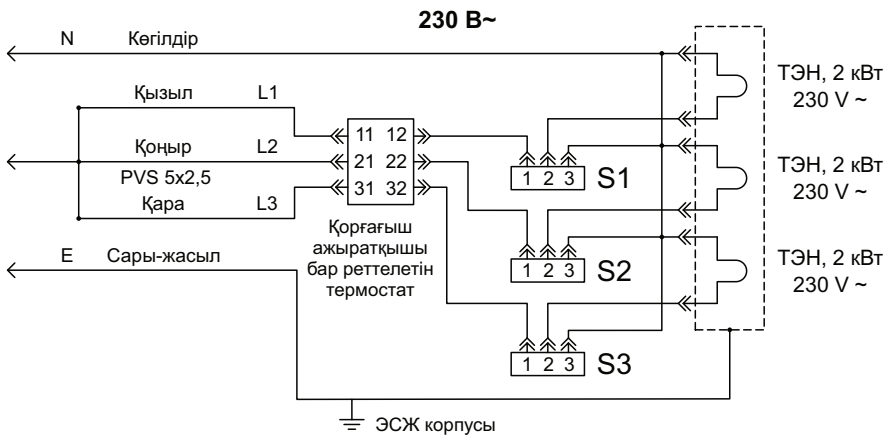
Дайындаушы осы нұсқаулықта баяндалған ЭСЖ-ні орнату, пайдалану және техникалық қызмет көрсету қағидаларын тұтынушының бұзушылықтары салдарынан, оның ішінде бұл кемшіліктер ЭСЖ пайдаланылатын желілердің (электр және сумен жабдықтау) жол берілмейтін параметрлерінен және үшінші тұлғалардың араласуынан туындаған жағдайларда туындаған кемшіліктер үшін жауапкершілік көтермейді. ЭСЖ сыртқы түрі бойынша наразылықтарға өндірушінің кепілдігі қолданылмайды.

Кепілдік мерзімі шегінде құрамдас бөліктер мен толымдаушыларды жөндеу, ауыстыру жалпы ЭСЖ-ге кепілдік мерзімін ұзартпайды, бұл ретте ауыстырылған немесе жөнделген толымдаушыларға кепілдік мерзімі ЭСЖ-ге кепілдік мерзімі аяқталған кезде аяқталады.

НАЗАР АУДАРЫҢЫЗ! Сақтандырғыш клапанның немесе қуат көзі бауының ақауы ЭСЖ-нің ақауы болып табылмайды және ЭСЖ-ні ауыстыруға әкеп соқтырмайды. Орнату және қосу қағидаларын қадағалау үшін жауапкершілік сатып алушыға (дербес қосылған жағдайда) немесе қосуды жүзеге асырған монтаждау ұйымына жүктеледі.



S1, S2, S3 – 16 А, 250 В қосу индикациясы бар ажыратқыш



400 В	Қосылыс	L1 1 фаза	L2 2 фаза	L3 3 фаза	N Нөлдік сым	E Жерге тұйықтау
	Сымдар	Қызыл	Қоңыр	Қара	Көгілдір	Сары-жасыл
230 В	Қосылыс	L (L1+L2+L3) – фаза			N Нөлдік сым	E Жерге тұйықтау
	Сымдар	Қызыл, қоңыр, қара			Көгілдір	Сары-жасыл

4 сур. 230 — 400 В желісіне қосылудың электр схемасы.

Электрлі су жылытқыштарды тасымалдау және сақтау

Электрлі су жылытқыштарды тасымалдау және сақтау қаптамадағы манипуляциялық белгілерге сәйкес жүзеге асырылады:



1. Жүкті ылғалдан қорғау қажеттілігі;
2. Жүктің сынғыштығы, абайлап жұмыс істеу шарты;
3. Жүкті сақтаудың ұсынылған температуралық диапазоны: +10°C-тан бастап +20°C-қа дейін;
4. Жүктің дұрыс тік қалыбы;

Сақтау және тасымалдау қағидалары мен шарттары тауардың қаптамасында көрсетілген.

Көдеге жарату

ЭСЖ-ні орнату, пайдалану және техникалық қызмет көрсету қағидаларын сақтау және пайдаланылатын су сапасының қолданыстағы стандартқа сәйкес келуі кезінде дайындаушы оған ЭСЖ-ні сатып алған күннен бастап 7 жыл қызмет ету мерзімін белгілейді. Су жылытқыштың барлық құрамдас бөліктері қажет болған жағдайда, оны экологиялық қауіпсіз көдеге жаратуға жол беретін материалдардан жасалған, ол су жылытқышты пайдаланатын елдің нормалары мен қағидаларына сәйкес жүргізілуі тиіс.

Дайындаушы туралы мәліметтер

Өндіруші:

«HEATING EQUIPMENT» LTD

«Тепловое Оборудование» ЖШҚ

Ресей, 187000, Ленинград облысы, Тосно қ., Московское тас жолы, 44 үй



Барлық модельдер міндетті сертификаттаудан өтті және Кеден одағының техникалық регламенттерінің талаптарына сәйкес келеді
 TP TC 004/2011, TP TC 020/2011, TP EAЭС 037/2016 сәйкестік сертификаты
 № TC RU C-RU.AД07.B.02589/20, сонымен қатар Еуропалық 2014/35/EU, 2014/30/EU директивалары.

Ресейдегі кепілді және қызмет көрсету қолдау қызметі: тел.: 8-800-333-50-77 (дүйсенбі-жұма 09:00 ден 20:00 дейін; сенбі, жексенбі 10:00 ден 18:00 дейін мәскеу уақыты бойынша; Ресей бойынша телефон соғу тегін), e-mail: service@thermex.ru

Бас қызмет көрсету орталығы – ЭСЖты орнату және қосу, кепілді және кепілді мерзімінен кейін жөндеу:

Ресей, 196105, Санкт-Петербург қ., Благодатная к-сі, 63 үй, тел.: (812) 313-32-73.

Ресейдің басқа қалаларындағы және аймақтарындағы авторластырылған қызмет көрсету орталықтарының телефондары мен мекенжайын келесі сайттан табуға болады www.thermex.ru немесе сатушы фирмамен белгіленген қызмет көрсету орталығына арыздануға болады.

Қазақстанға импорттаушы, Қазақстанда сатушы, сапасы бойынша наразылықты қабылдаушы ұйымның атауы және орналасқан жері:

«Термекс Сары-Арка» ЖШС
Тел.: 8 (7212) 51 28 89

**Гарантийные талоны / Warranty certificates / Гарантійні талони
Кепілдік талондары**

**Отметка о продаже / Note of sale / Відмітка про продаж
Сату туралы белгі**

Модель / Model / Модель / Үлгі

Серийный № / Nr. seriei / Серійний № / Сериялық №

Дата продажи / Date of sale / Дата продажу / Сату күні

Фирма-продавец / Dealer / Фірма-продавець / Сатушы фирма

**Сервисный центр, указанный фирмой-продавцом / Service center indicated by dealer
Сервісний центр, зазначений фірмою-продавцем / Сатушы фирма көрсеткен сервистік
орталық**

Печать фирмы продавца
Stamp of dealer
Печатка фірми продавця
Сатушы фирманың мөрі



Подпись покупателя / Customer signature / Підпис покупця / Сатып алушының қолы

Гарантийные талоны / Warranty certificates / Гарантійні талони / Кепілдік талондары

1. **Модель** / Model / Модель / Үлгі
2. **Серийный №** / Serial no / Серійний № / Серіялық №
3. **Дата продажи** / Date of sale / Дата продажу / Сату күні
4. **Фирма-продавец** / Dealer / Фірма-продавець / Сатушы фирма
5. **Печать фирмы-продавца** / Stamp of dealer / Печатка фірми продавця / Сатушы фирманың мері
6. **Заполняется фирмой-продавцом** / Filled in by dealer / Заповнюється фірмою- продавцем / Сатушы фирма толтырады

1. Model	
2. Serial No.	
3. Date of sale	
4. Dealer	

5. Stamp
of dealer

№ 1

6. Filled in by dealer

1. Model	
2. Serial No.	
3. Date of sale	
4. Dealer	

5. Stamp
of dealer

№ 2

6. Filled in by dealer

1. Model	
2. Serial No.	
3. Date of sale	
4. Dealer	

5. Stamp
of dealer

№ 3

6. Filled in by dealer

1. Model	
2. Serial No.	
3. Date of sale	
4. Dealer	

5. Stamp
of dealer

№ 4

6. Filled in by dealer

1. **Дата приема** / Date of acceptance / Дата прийому / Қабылдау күні
2. **Дата выдачи** / Issue date / Дата видачі / Берілетін күні
3. **Дефект** / Defect / Дефект / Ақау
4. **Выполненная работа** / Executed work / Виконана робота / Орындалған жұмыс
5. **Мастер / Specialist (name)** / Майстер (ПІБ) / Шебер (толық аты-жөні)
6. **Печать сервисного центра** / Stamp of service center / Печатка сервісного центру / Сервістік орталықтың мөрі
7. **Заполняется сервисным центром** / Filled in by service center / Заповнюється сервісним центром / Сервістік орталықпен толтырылады



1. Date of acceptance		6. Stamp of service center
2. Issue date		
3. Defect		
4. Executed work		
5. Specialist (name)		

№ 1 7. Filled in by service center



1. Date of acceptance		6. Stamp of service center
2. Issue date		
3. Defect		
4. Executed work		
5. Specialist (name)		

№ 2 7. Filled in by service center



1. Date of acceptance		6. Stamp of service center
2. Issue date		
3. Defect		
4. Executed work		
5. Specialist (name)		

№ 3 7. Filled in by service center



1. Date of acceptance		6. Stamp of service center
2. Issue date		
3. Defect		
4. Executed work		
5. Specialist (name)		

№ 4 7. Filled in by service center



Управляй своим комфортом в любой точке мира

Manage your comfort anywhere
in the world

Технология беспроводной связи Wi-Fi Motion

Wi-Fi Motion Wireless Technology

Wi-Fi Motion — технология, обеспечивающая стабильную многопользовательскую беспроводную связь с устройствами Thermex. Подключение оборудования, как ясно из названия, происходит по Wi-Fi, что предполагает широту и удобство удаленного управления техникой в квартире, офисе, загородном коттедже или на предприятии из любой точки земного шара.

Wi-Fi Motion is a technology that provides stable multi-user wireless communication with Thermex devices. Wi-Fi connection implies the convenience of remotely controlling appliances in the apartment, office, country cottage or anywhere in the world.



Водоснабжение / *Water supply*



Отопление / *Heating*



Другие товары с удаленным управлением:

Other products with remote control:

Водонагреватели /
Water heaters
IF PRO Wi-Fi

Водонагреватели /
Water heaters
Bravo / Optima Wi-Fi



thermex.com

thermex.ru

thermex.ua