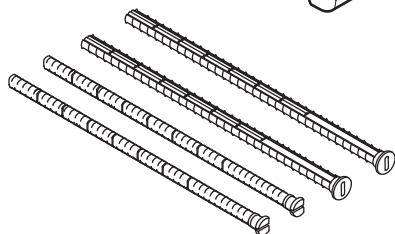
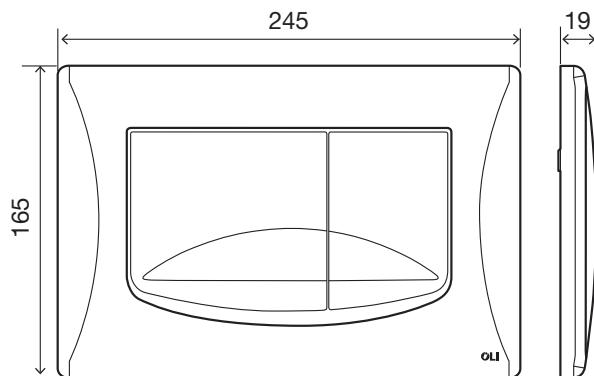
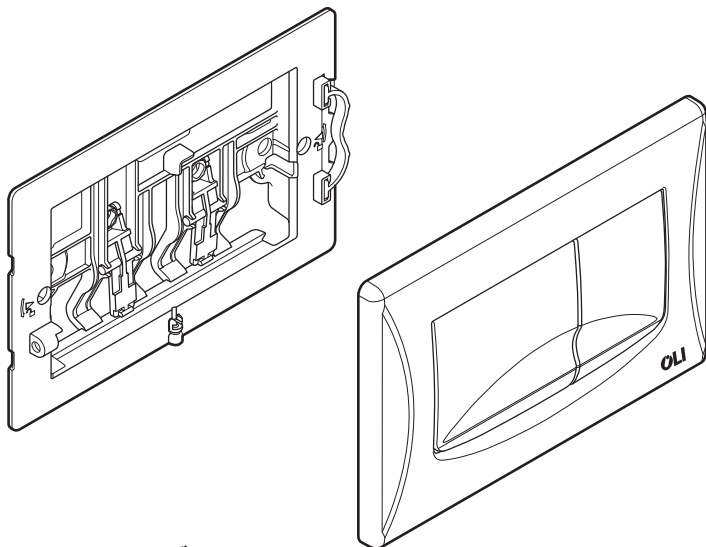
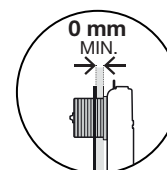
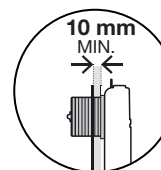
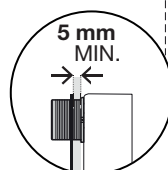
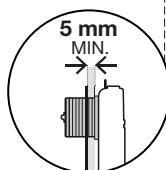
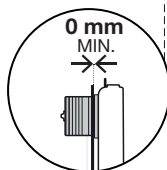
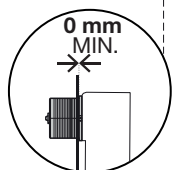
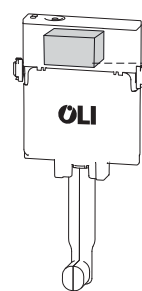
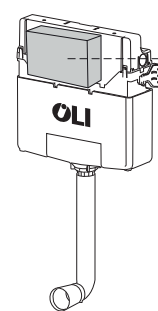
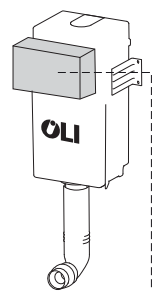
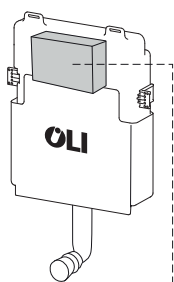
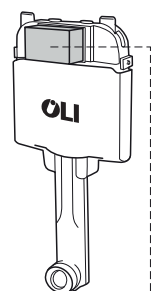
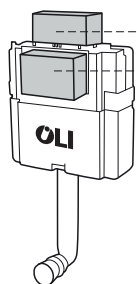
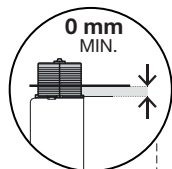


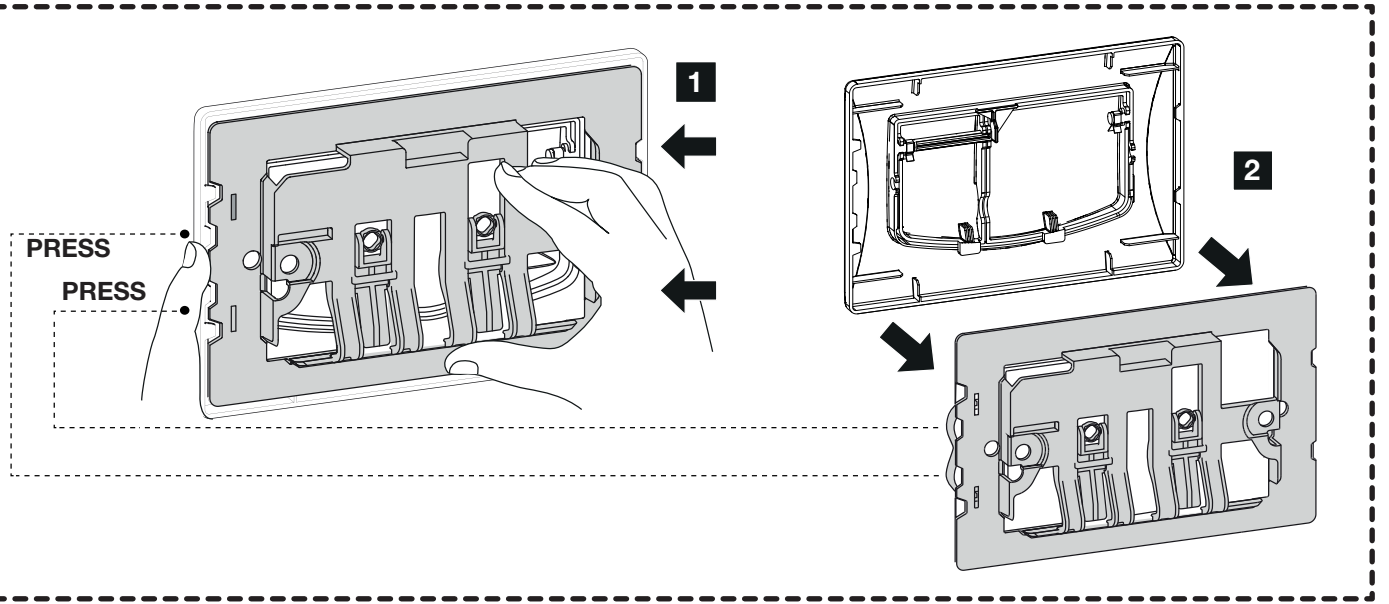
RIVER DUAL

MECHANICAL



(dimensions in millimeters)

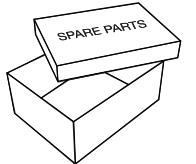
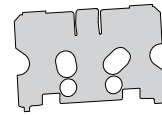
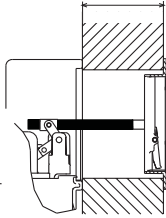
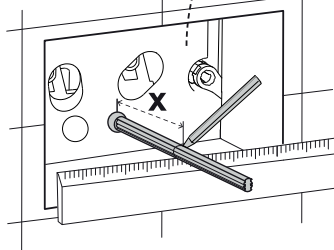
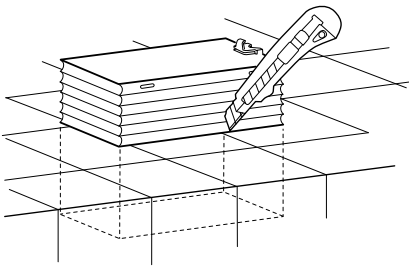




1A

TOP

$X < 30\text{mm}$



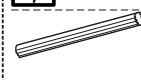
x2



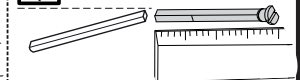
x2



$\pm X + 10\text{mm}$



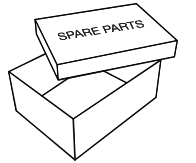
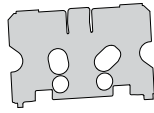
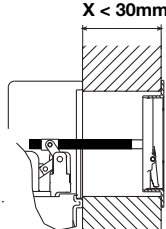
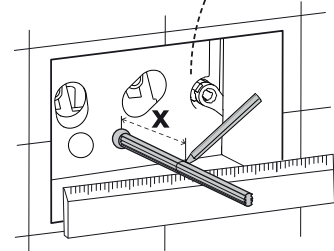
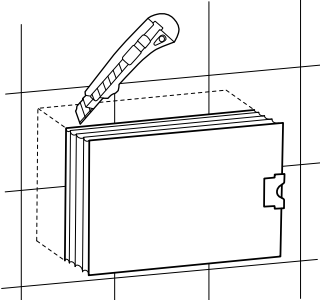
$\pm X + 75\text{mm}$



1B

FRONT

$X < 30\text{mm}$



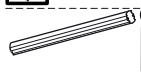
x2



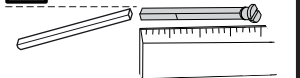
x2



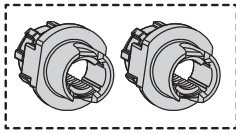
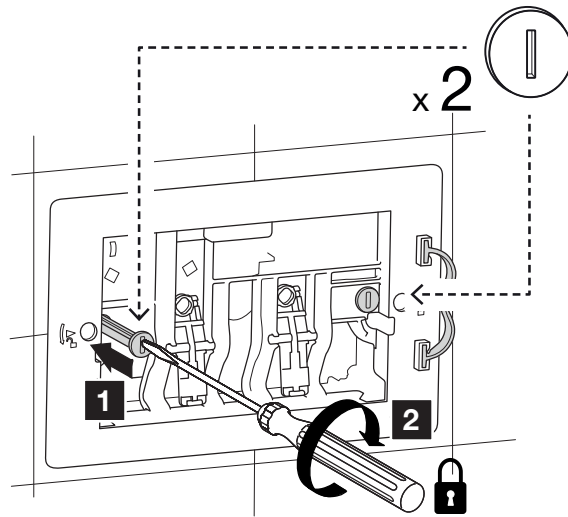
$\pm X + 45\text{mm}$



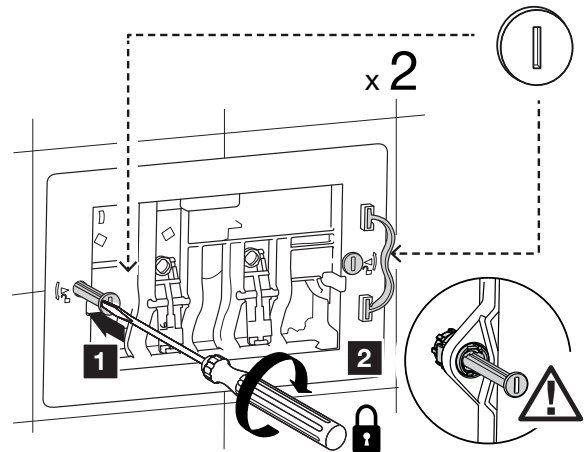
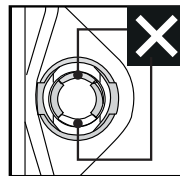
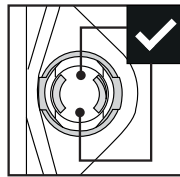
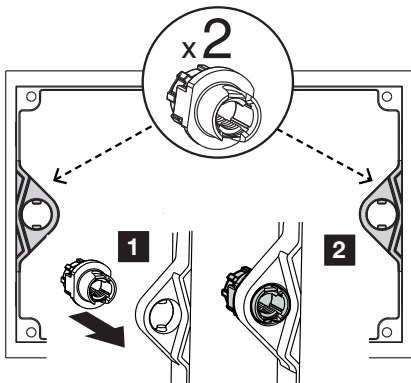
$\pm X + 30\text{mm}$



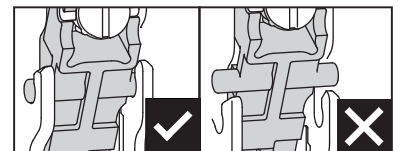
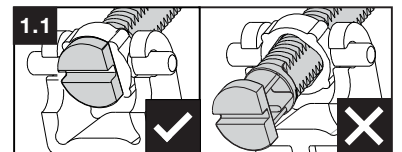
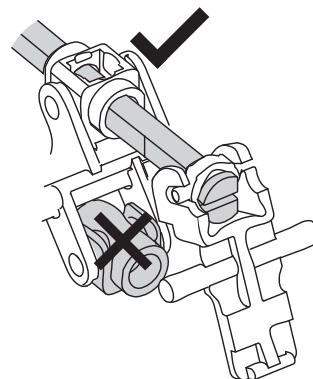
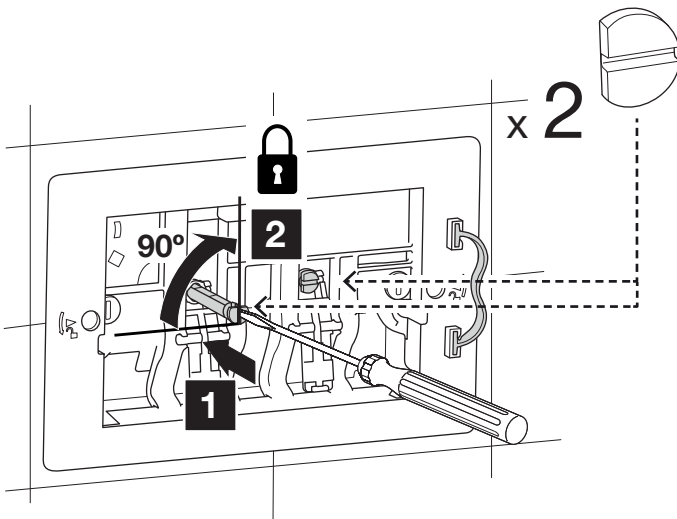
2



Cod.037152
Fixation kit <09
Order separately



3



4

